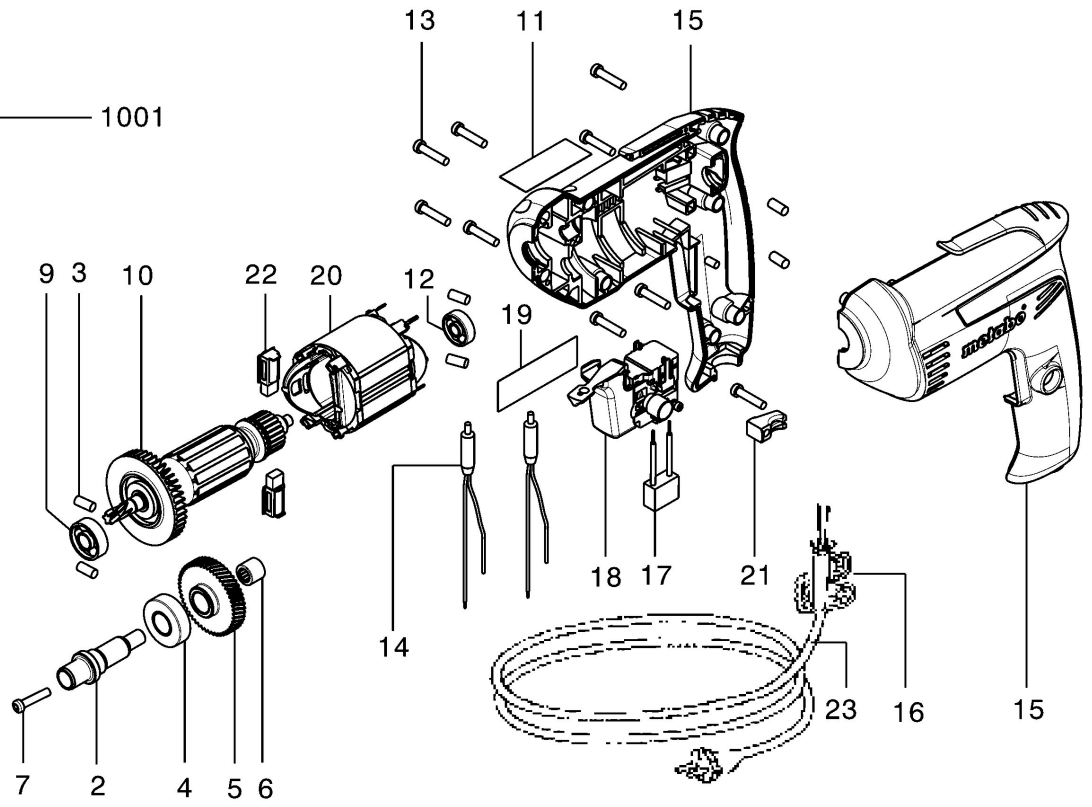
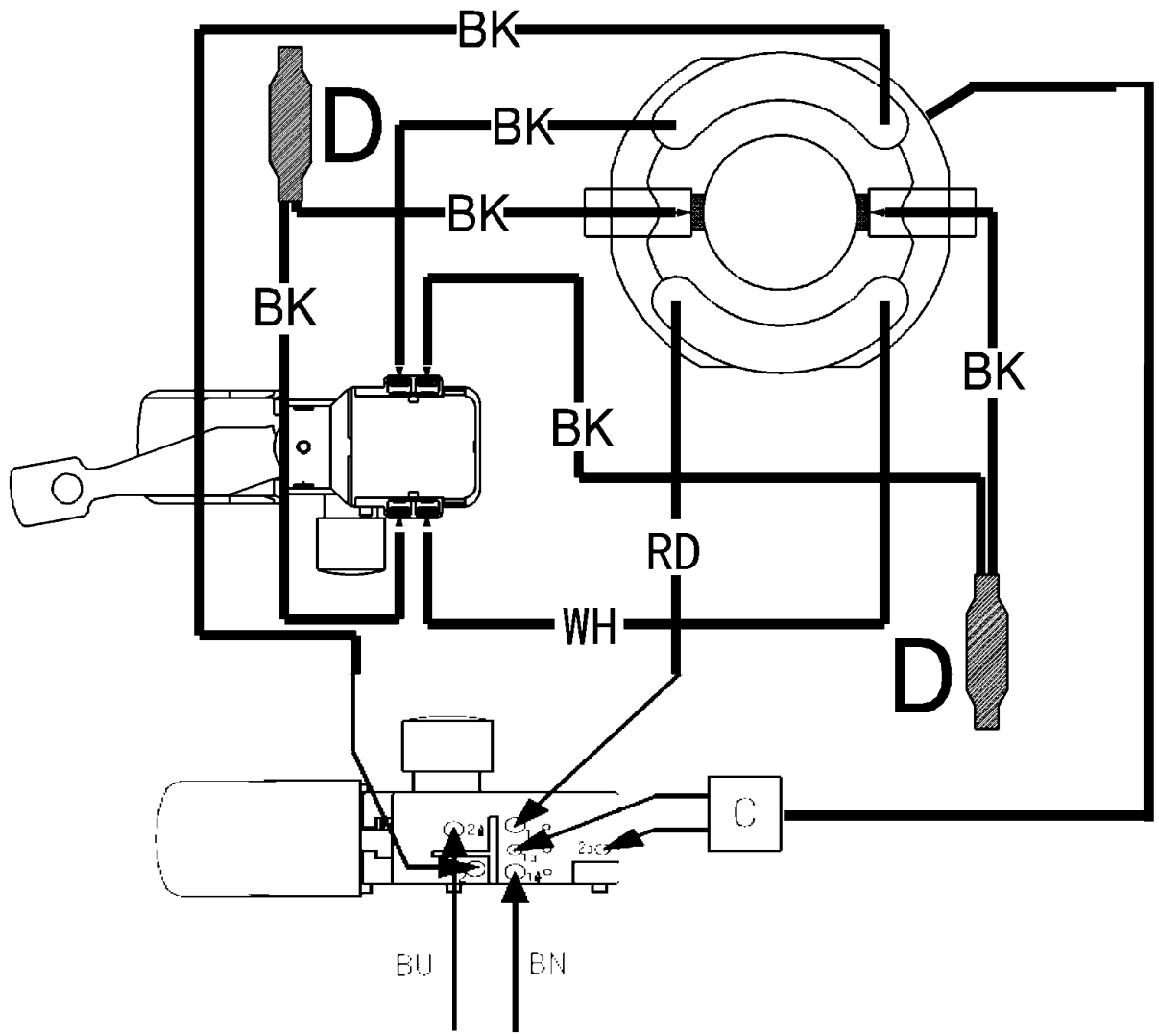


1001





a# Circuit Block Diagram

