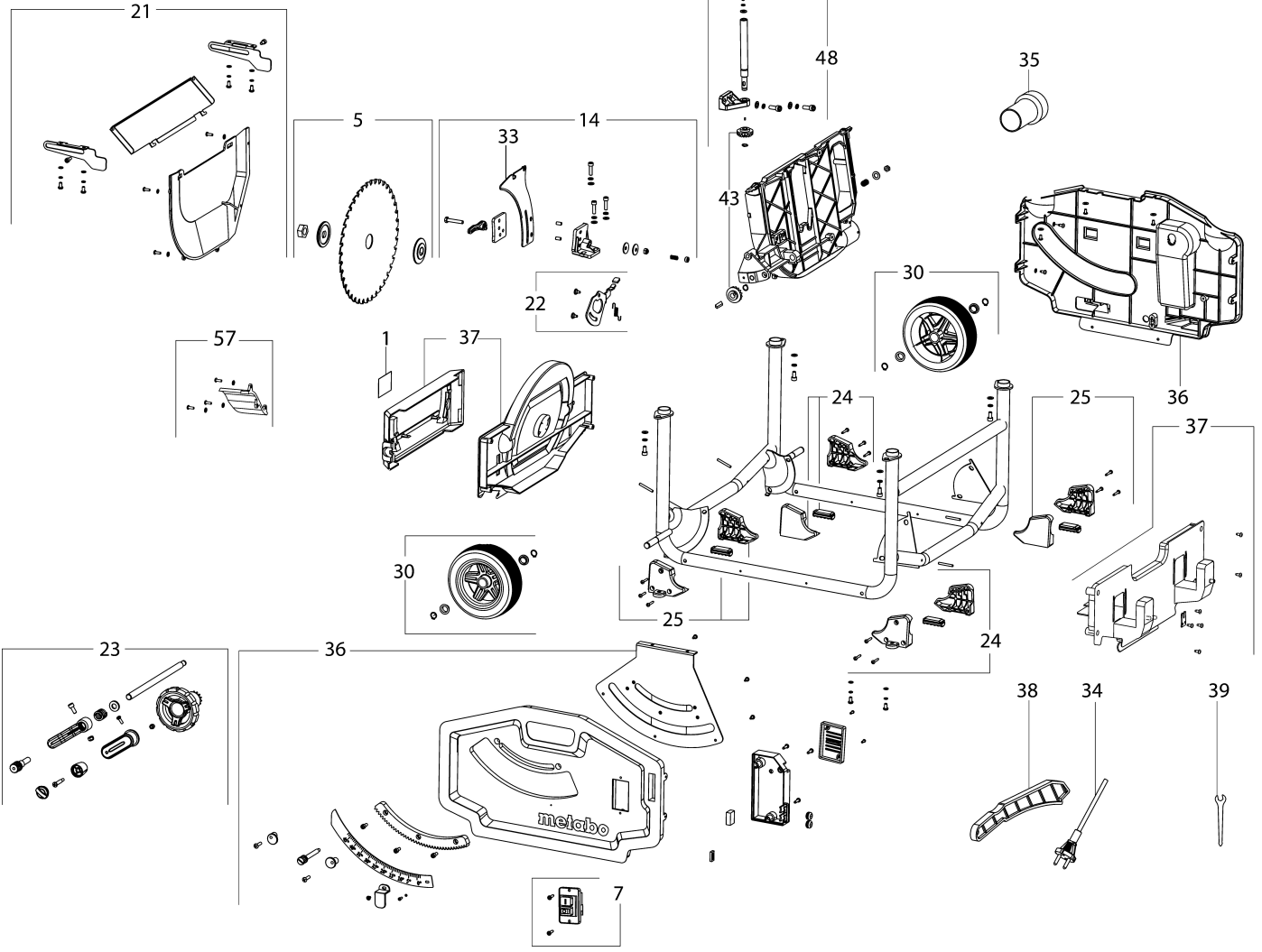
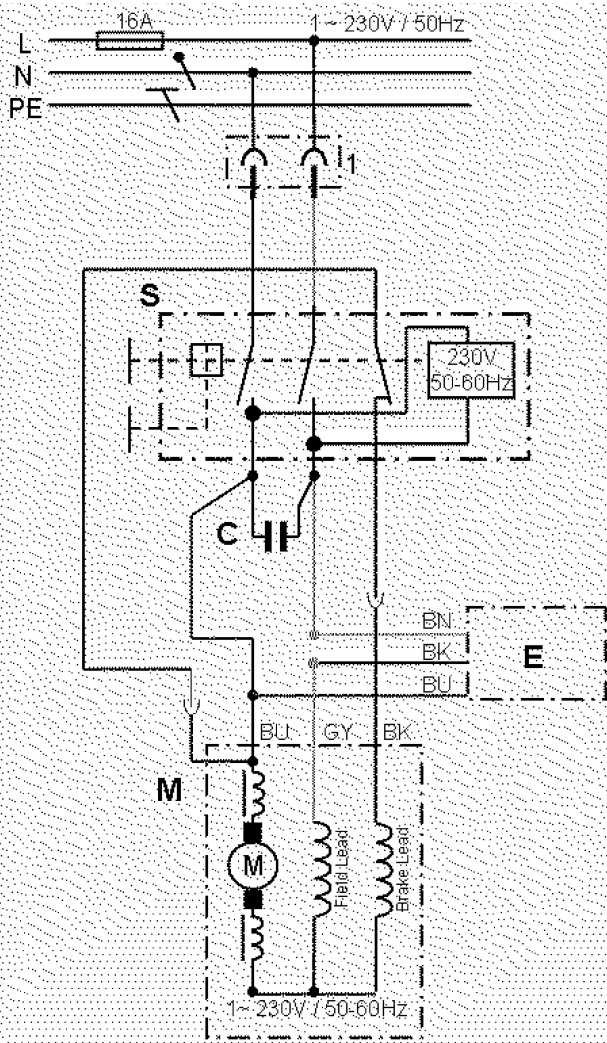
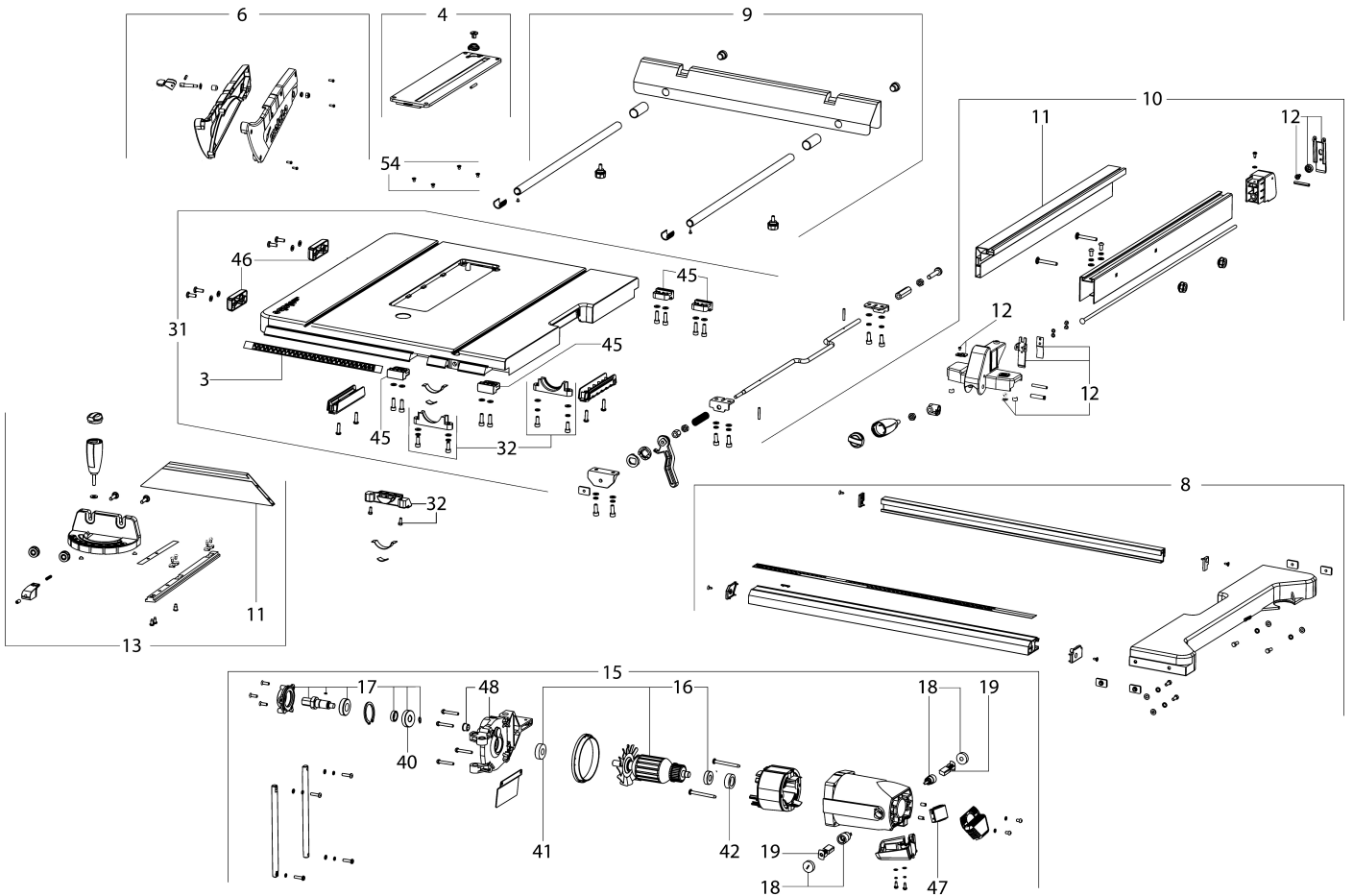


| Bedeutung der Kurzzeichen | Meaning of the symbols |                 |
|---------------------------|------------------------|-----------------|
| C                         | Kondensator            | capacitor       |
| E                         | Elektronik-Baustein    | Electronic unit |
| M                         | Motor                  | Motor           |
| S                         | Schalter               | Switch          |
| BK                        | Schwarz                | Black           |
| BN                        | Braun                  | Brown           |
| BU                        | Blau                   | Blue            |
| GY                        | Grau                   | Grey            |





|    | <b>Bedeutung der Kurzzeichen</b> | <b>Meaning of the symbols</b> |
|----|----------------------------------|-------------------------------|
| C  | Kondensator                      | capacitor                     |
| E  | Elektronik-Baustein              | Electronic unit               |
| M  | Motor                            | Motor                         |
| S  | Schalter                         | Switch                        |
| BK | Schwarz                          | Black                         |
| BN | Braun                            | Brown                         |
| BU | Blau                             | Blue                          |
| GY | Grau                             | Grey                          |
|    |                                  |                               |
|    |                                  |                               |
|    |                                  |                               |
|    |                                  |                               |