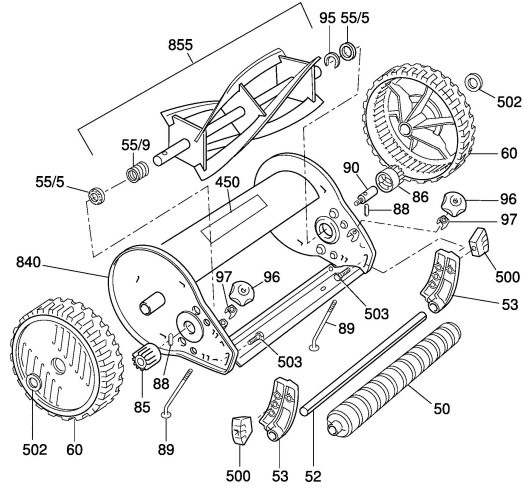
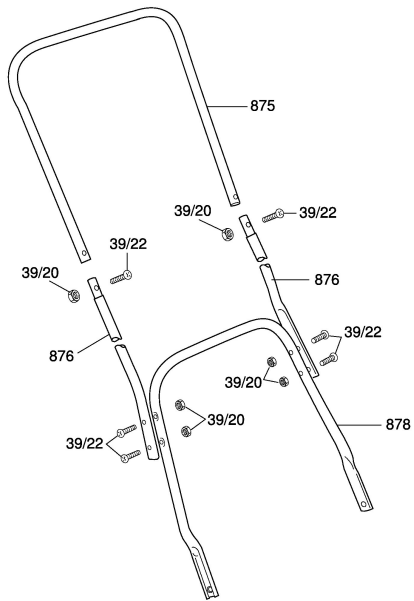


0 600 886 001

Issue } 09-11  
Stand } 11-08-10

Fig.1/Abb.1



Modifications reserved  
Änderungen vorbehalten  
Modifications reserves  
Salvo modificaciones