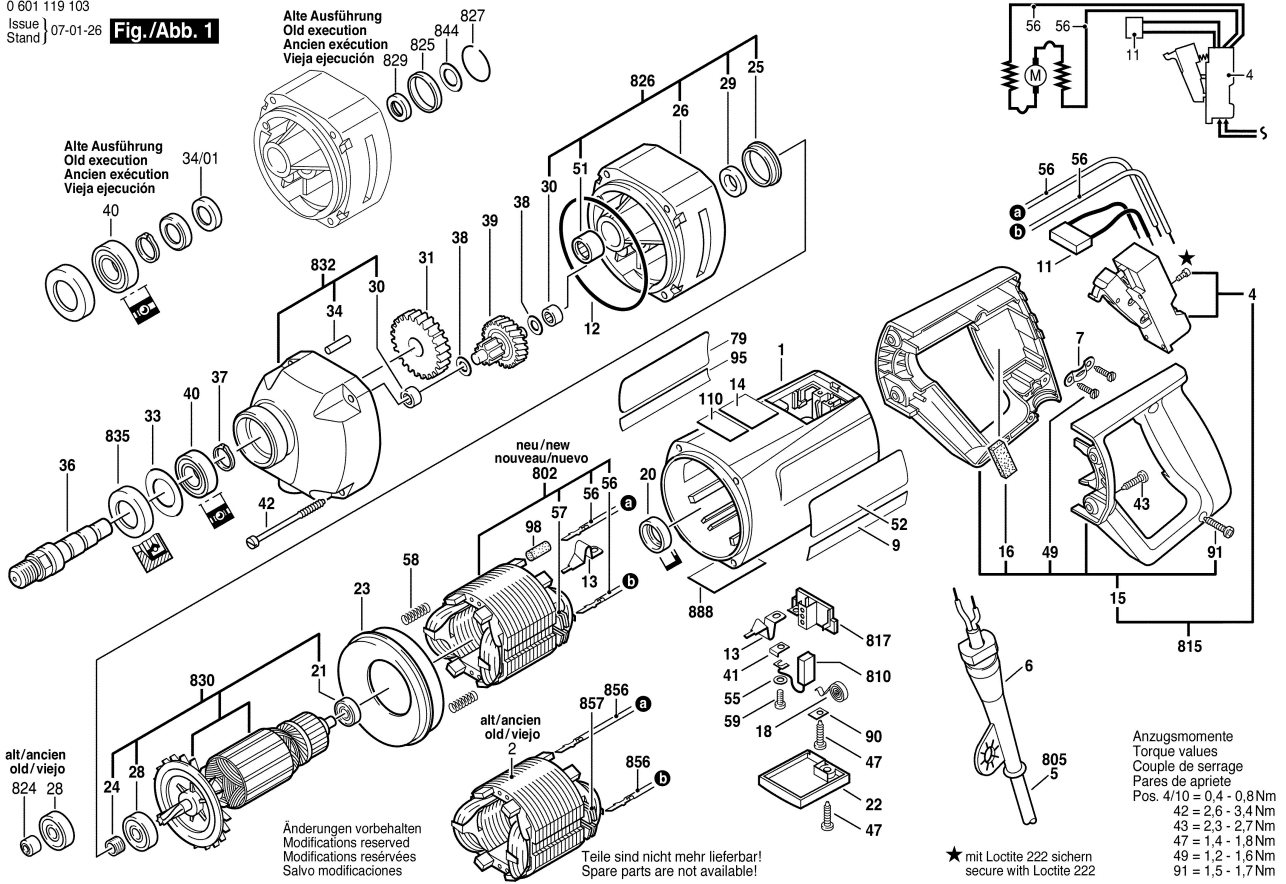


0 601 119 103
Issue
Stand

Fig./Abb. 1



0 601 119 103
Issue
Stand

Fig./Abb. 2

