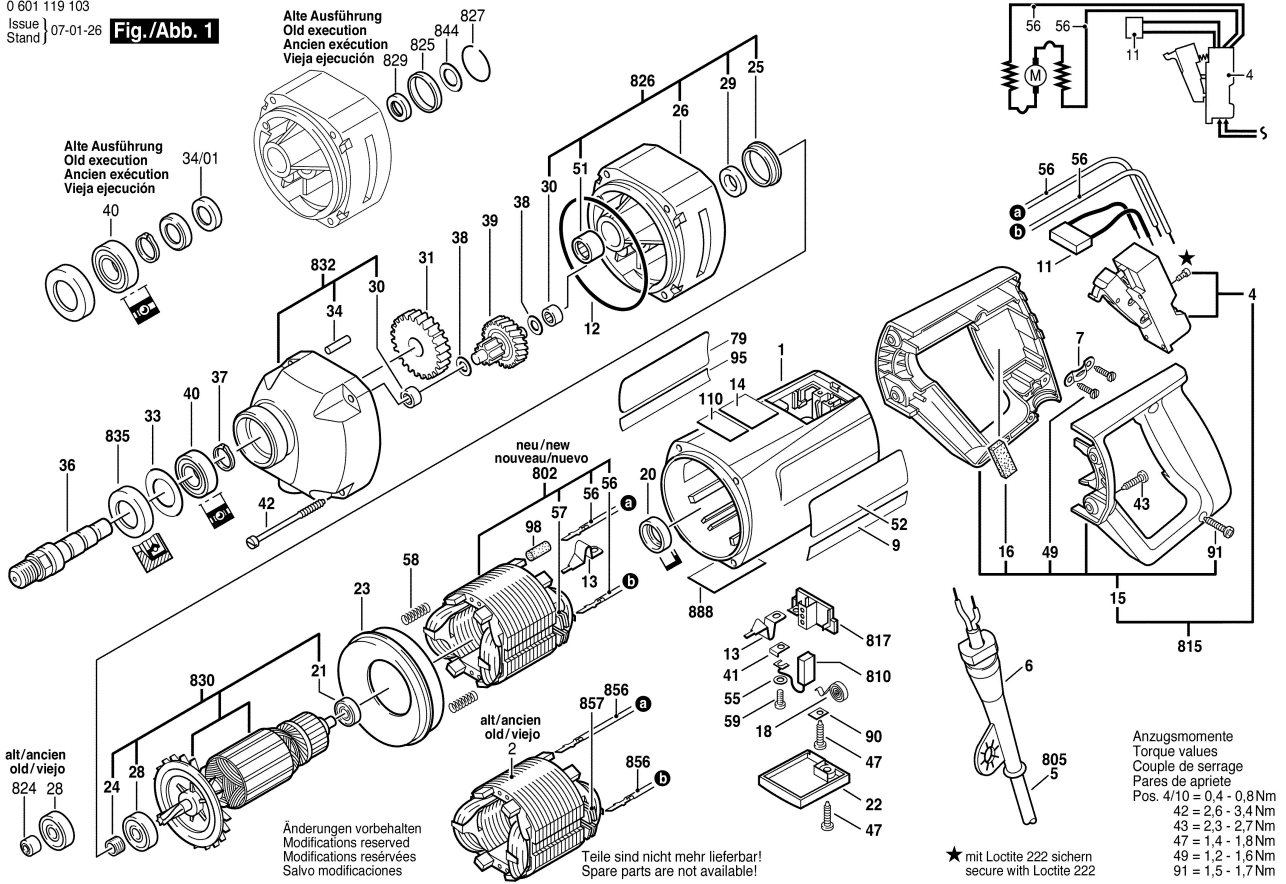


0 601 119 103  
 Issue | 07-01-26  
 Stand |

**Fig./Abb. 1**



0 601 119 103  
 Issue | 07-01-26  
 Stand |

**Fig./Abb. 2**

