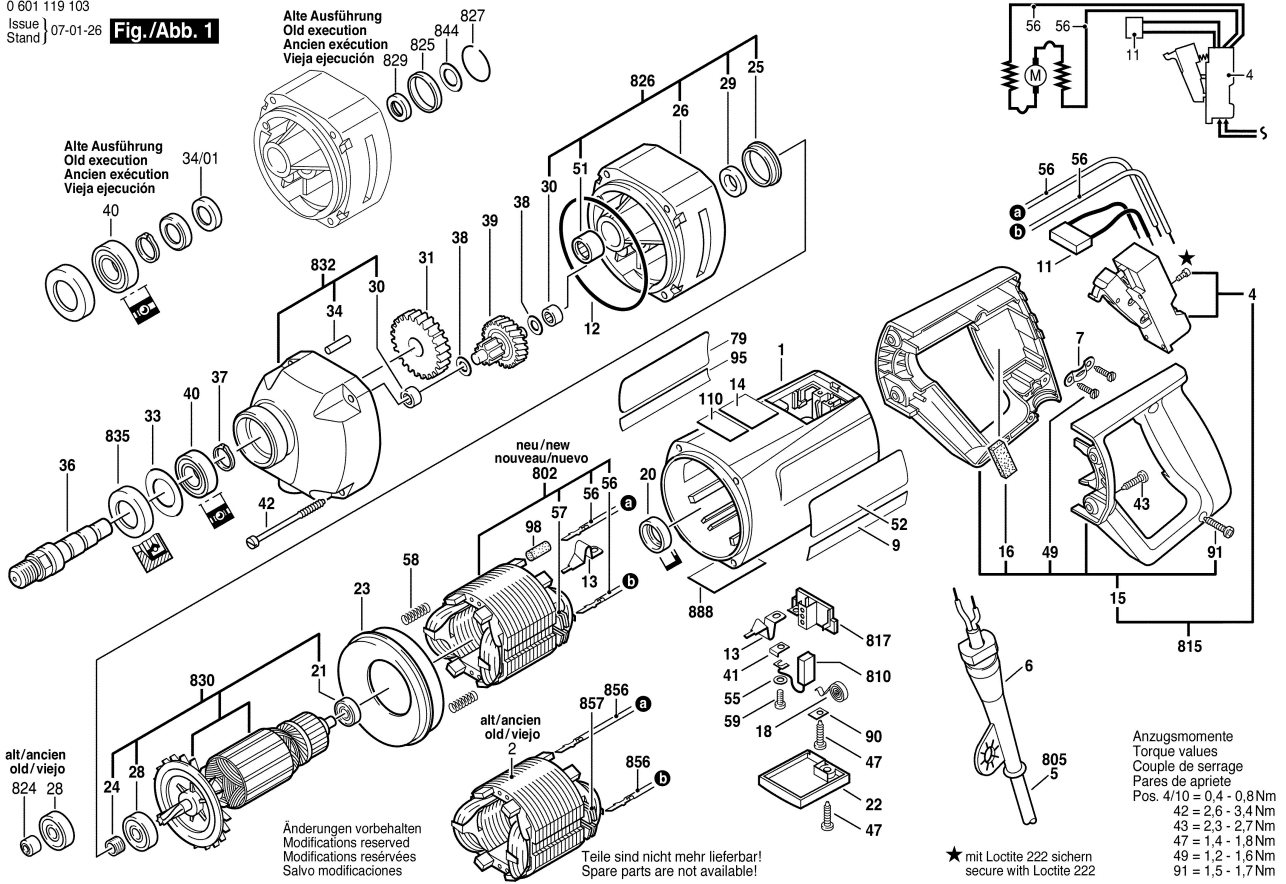


0 601 119 103  
Issue  
Stand } 07-01-26

**Fig./Abb. 1**



0 601 119 103  
Issue  
Stand } 07-01-26

**Fig./Abb. 2**

