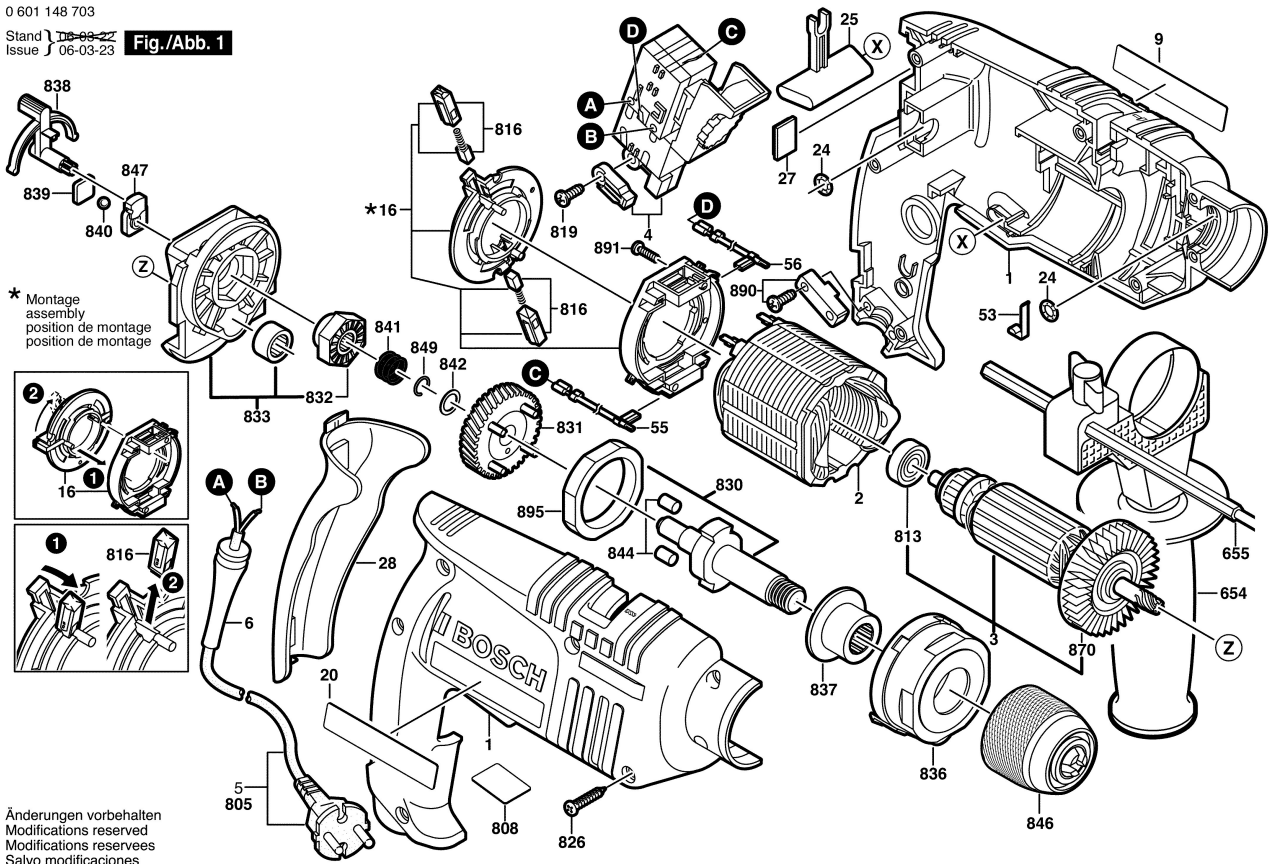


0 601 148 703

Stand } 10-89-22  
Issue } 06-03-23

**Fig./Abb. 1**



\* Montage  
assembly  
position de montage  
position de montage

Änderungen vorbehalten  
Modifications reserved  
Modifications reserves  
Salvo modificaciones