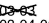
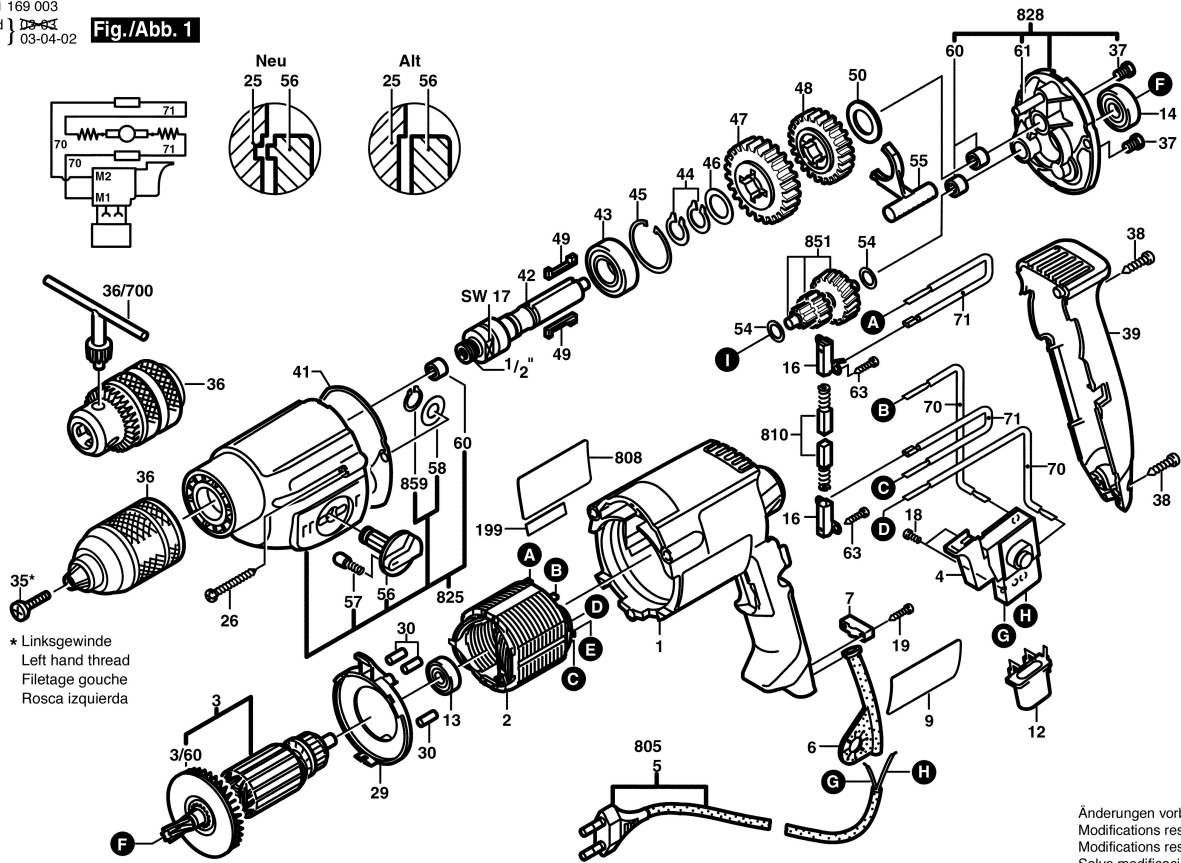
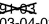


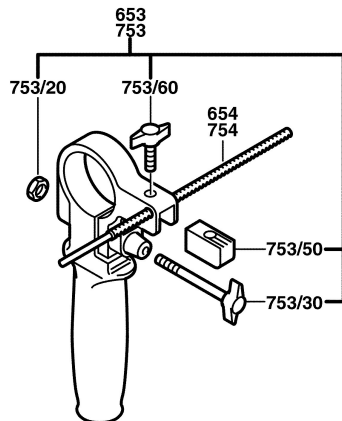
0 601 169 003  
 Stand |  6891  
 Issue | 03-04-02

**Fig./Abb. 1**



0 601 169 003  
 Stand |  6891  
 Issue | 03-04-03

**Fig./Abb. 2**



Änderungen vorbehalten  
 Modifications reserved  
 Modifications reserves  
 Salvo modificaciones