

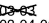
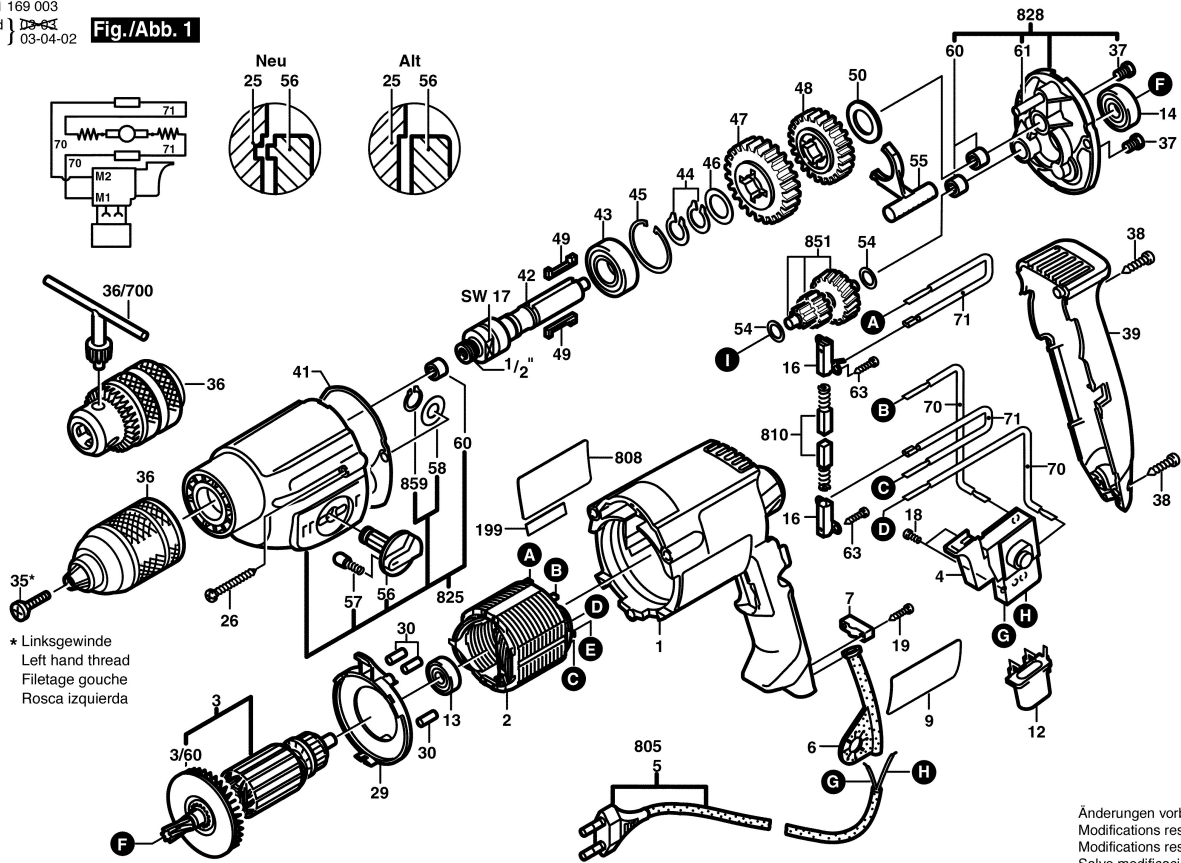
0 601 169 003
 Stand |  6891
 Issue | 03-04-02

Fig./Abb. 1



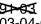
0 601 169 003
 Stand |  6891
 Issue | 03-04-03

Fig./Abb. 2

