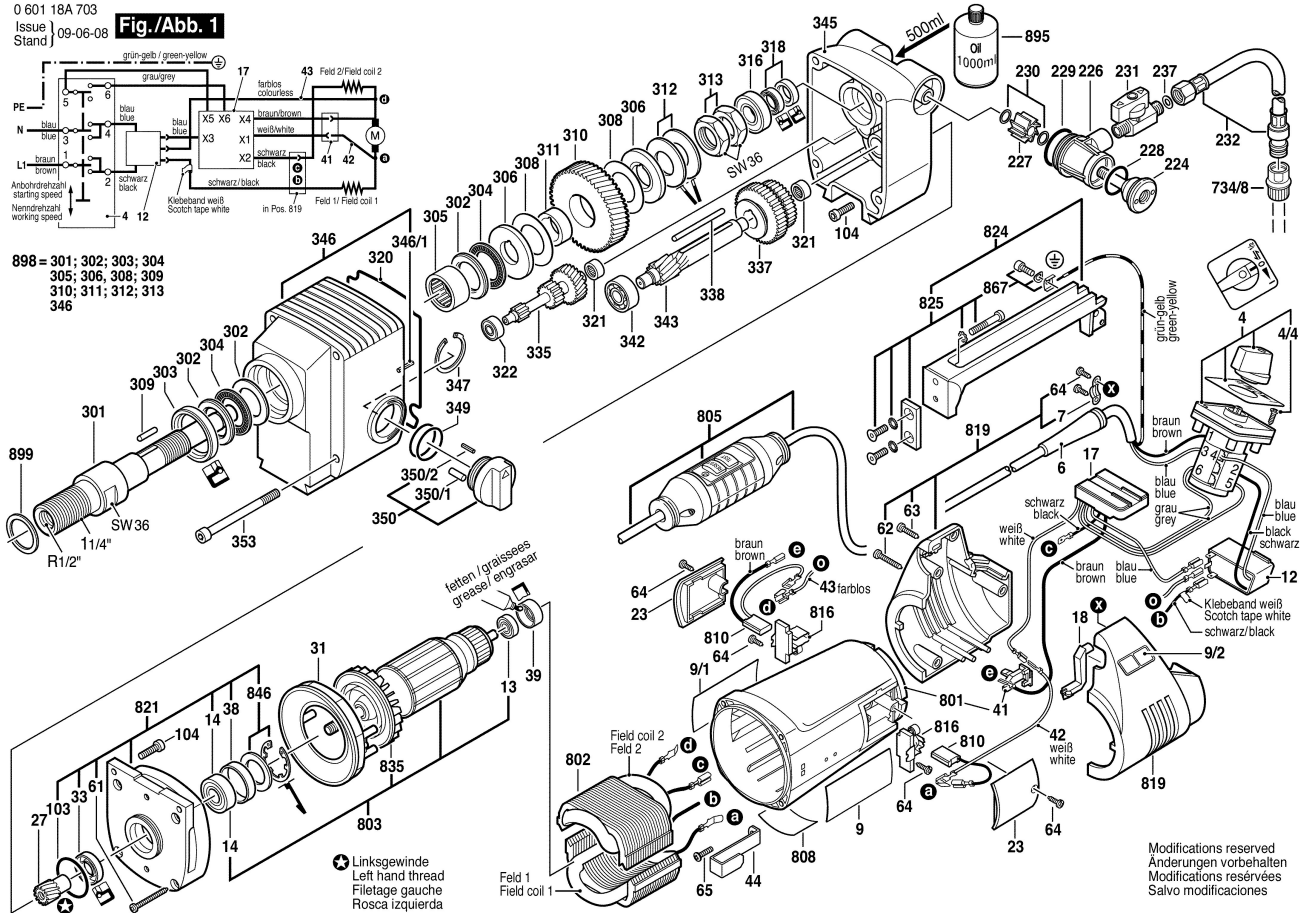


0 601 18A 703
Issue
Stand 09-06-08

Fig./Abb. 1



0 601 18A 703
Issue
Stand 09-06-08

Fig./Abb. 2

