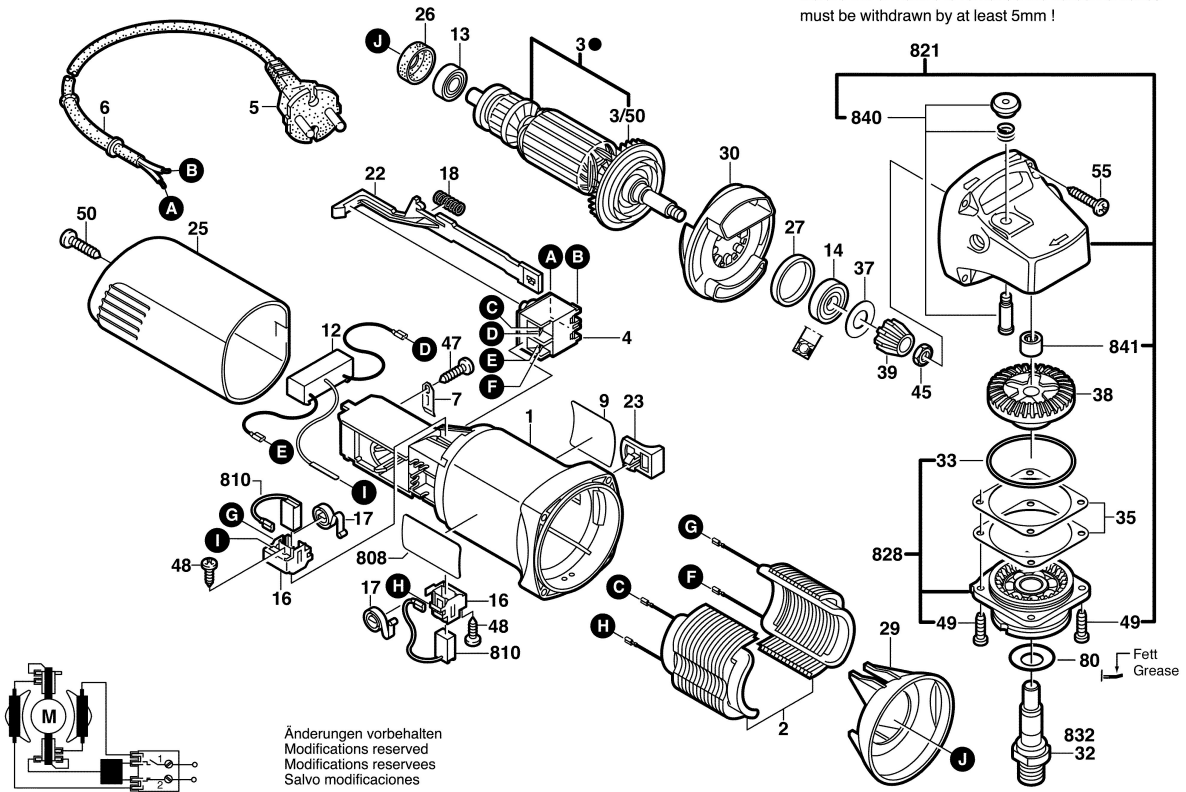


0 601 375 043
 Stand 1 03-07
 Issue J 08-01-28

Fig./Abb. 1

Gerad - Verzahnung

● Vor Demontage des Ankers
 Kohlebürsten 5mm zurückziehen !
 Before the armature is removed the carbon brushes
 must be withdrawn by at least 5mm !



0 601 375 043
 Stand J 03-04-09
 Issue J

Fig./Abb. 2

