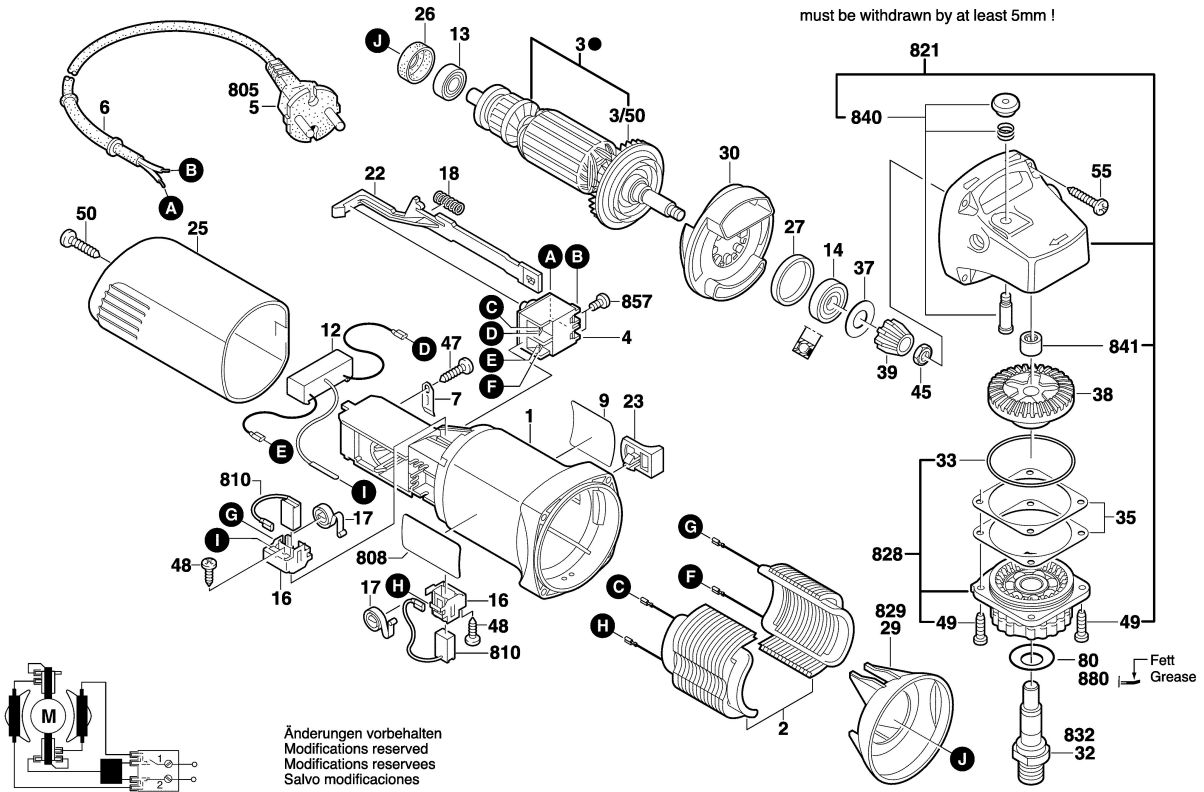


0 601 375 0E3
 Stand | 14-07-22
 Issue J

Fig. /Abb. 1

Gerad - Verzahnung

● Vor Demontage des Ankers
 Kohlebürsten 5mm zurückziehen !
 Before the armature is removed the carbon brushes
 must be withdrawn by at least 5mm !



0 601 375 0E3
 Stand | 09-01-27
 Issue J

Fig. /Abb. 2

