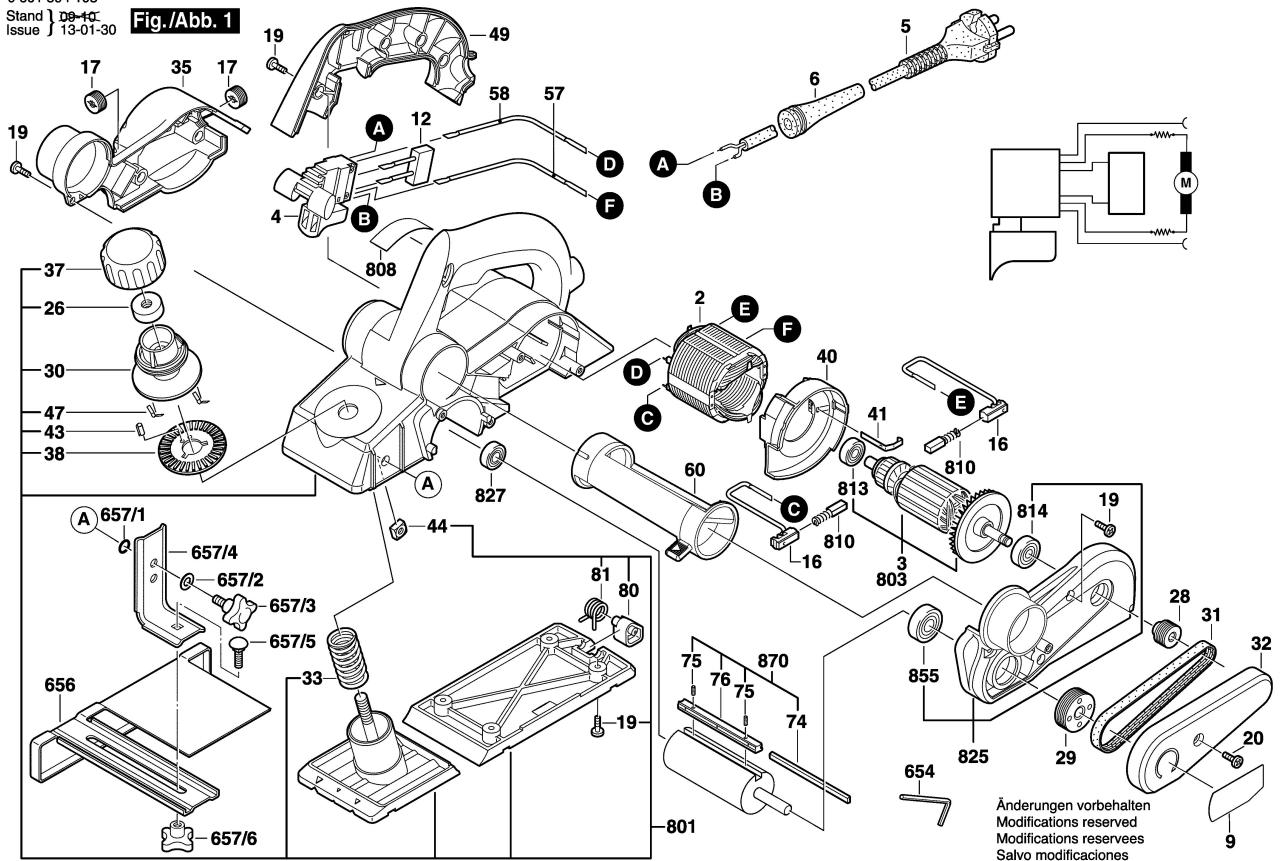


0 601 594 103
 Stand | 09-10
 Issue | 13-01-30

Fig./Abb. 1



Änderungen vorbehalten
 Modifications reserved
 Modifications reserves
 Salvo modificaciones