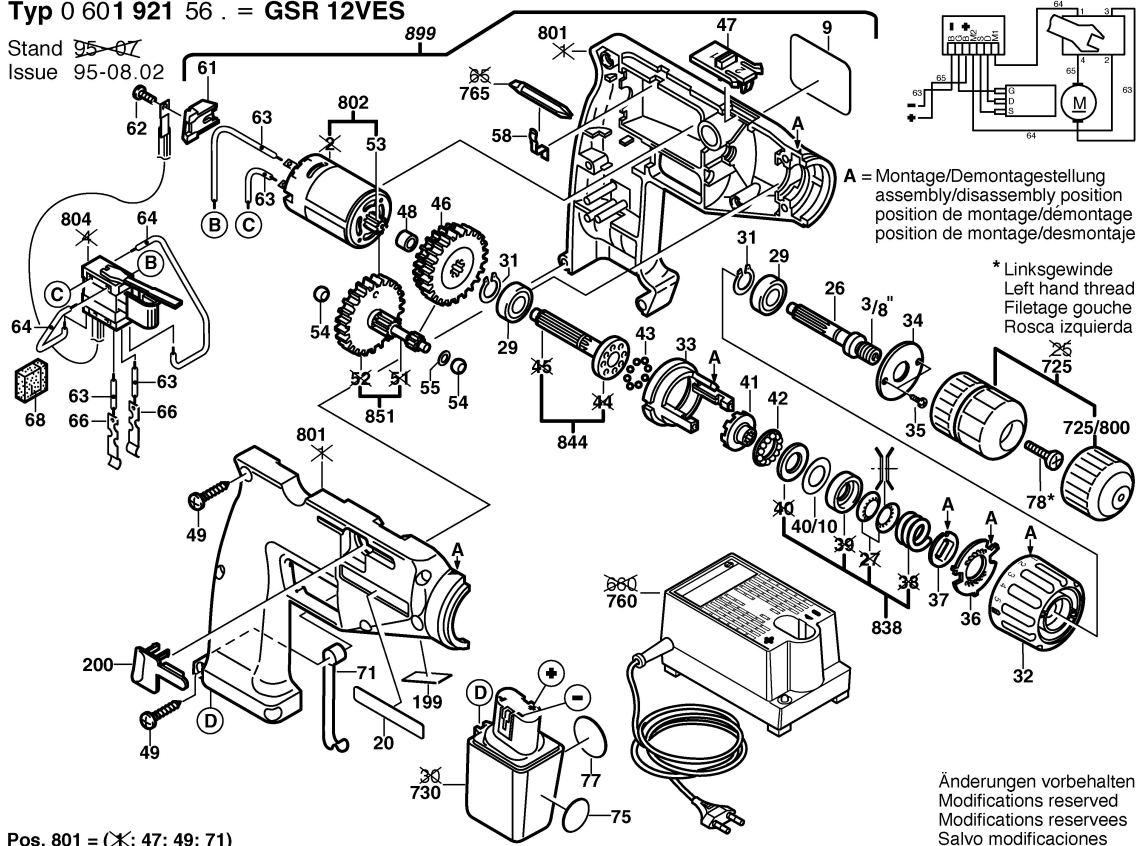


**Typ 0 601 921 56 . = GSR 12VES**

Stand ~~95-07~~  
 Issue 95-08.02



A = Montage/Demontagestellung  
 assembly/disassembly position  
 position de montage/démontage  
 position de montage/desmontaje

\* Linksgewinde  
 Left hand thread  
 Filetage gauche  
 Rosca izquiera

Pos. 801 = (✕; 47; 49; 71)

Änderungen vorbehalten  
 Modifications reserved  
 Modifications reserves  
 Salvo modificaciones