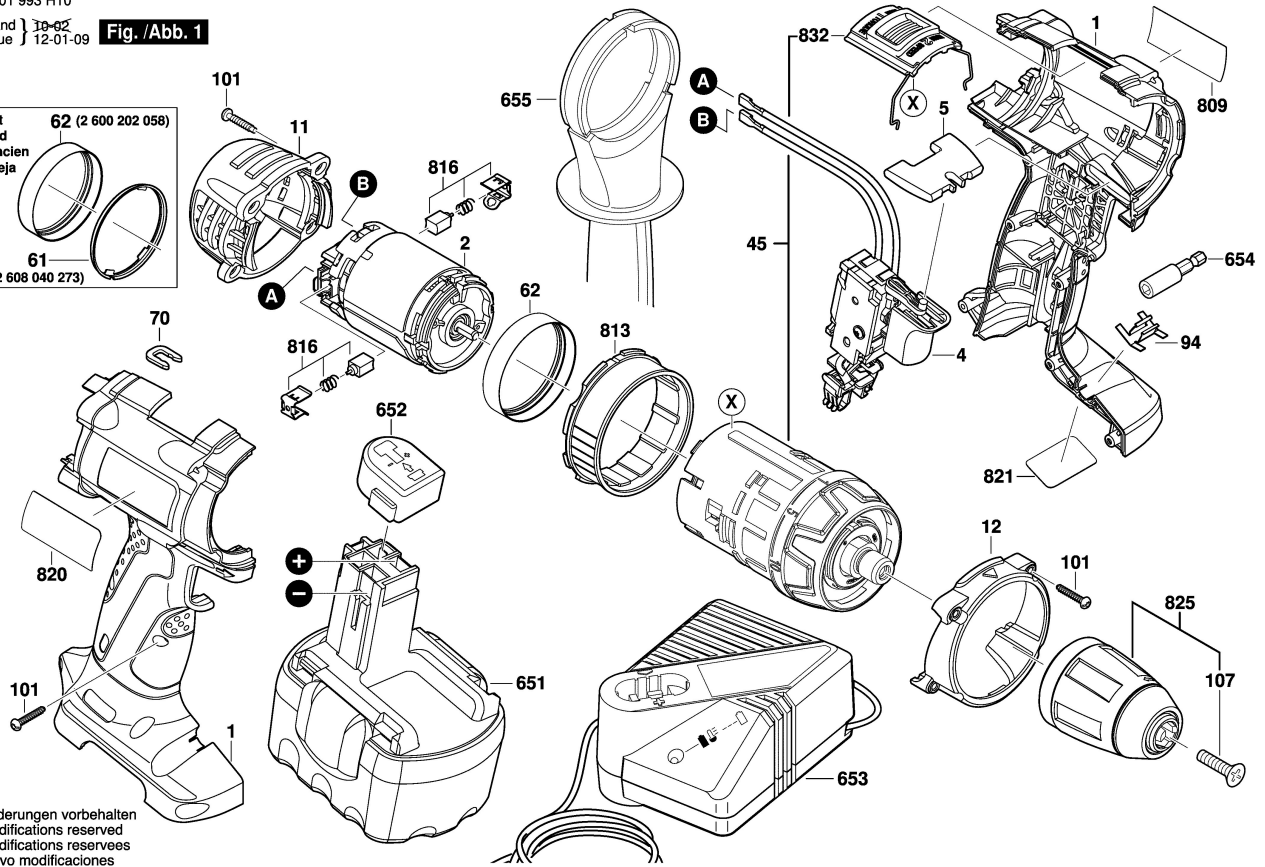
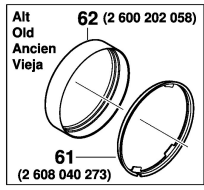


0 601 993 H10

Stand } 10-02
Issue } 12-01-09

Fig./Abb. 1



Änderungen vorbehalten
Modifications reserved
Modifications reserves
Salvo modificaciones