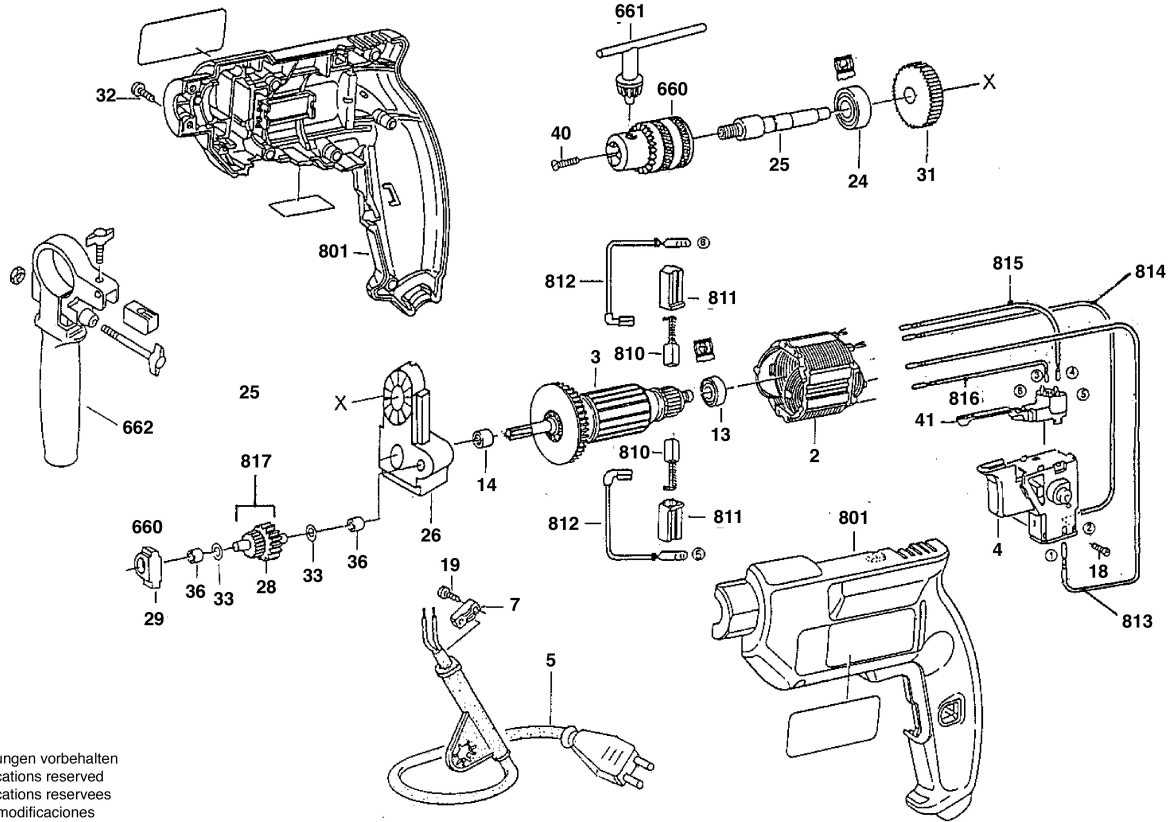


0 603 141 578

Issue } 30-05-01  
Stand }

Fig.1/Abb.1



Änderungen vorbehalten  
Modifications reserved  
Modifications reserves  
Salvo modificaciones