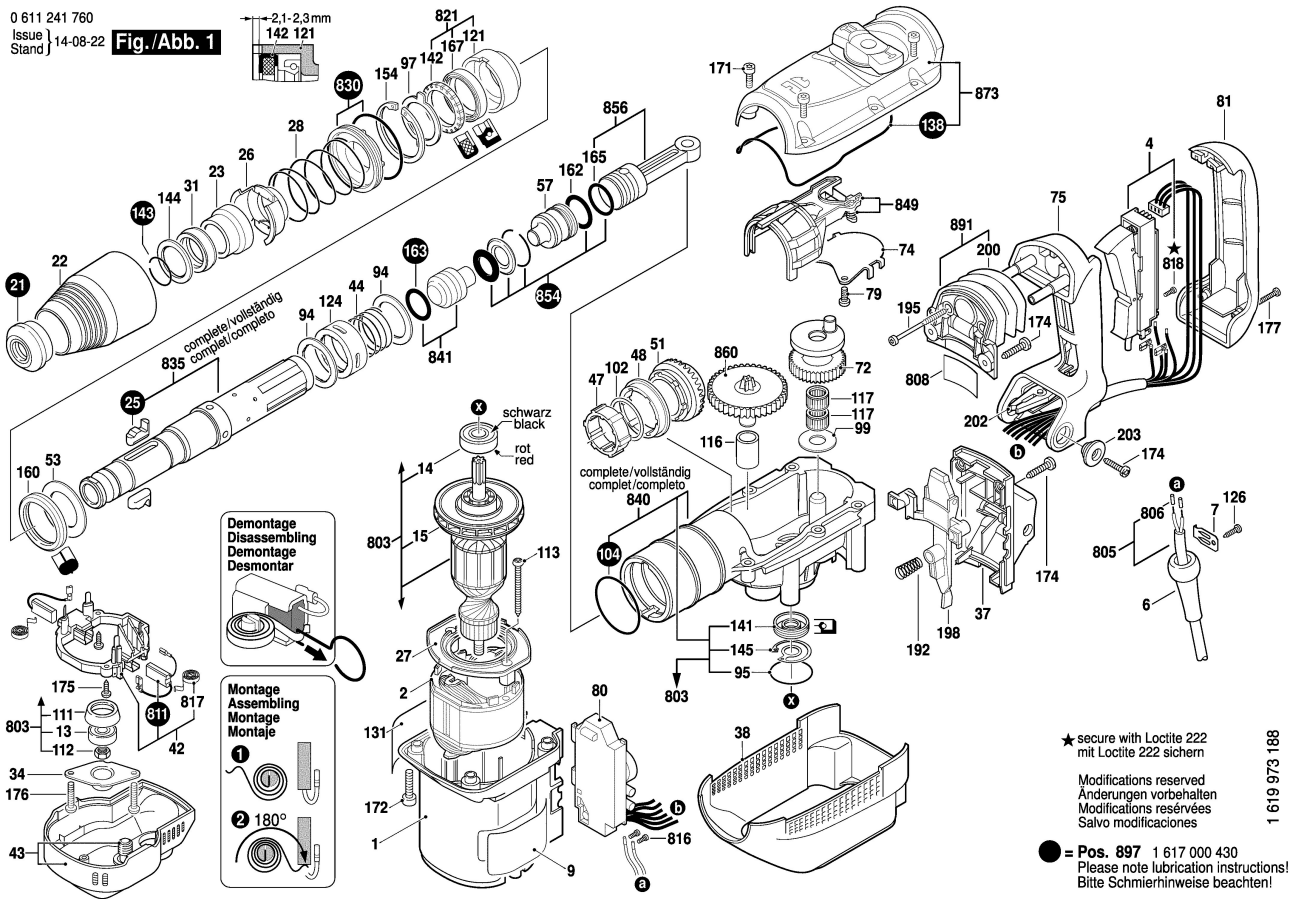


0 611 241 760  
 Issue 14-08-22  
 Stand

**Fig./Abb. 1**



1 619 973 188

0 611 241 760  
 Issue 14-08-22  
 Stand

**Fig./Abb. 2**

