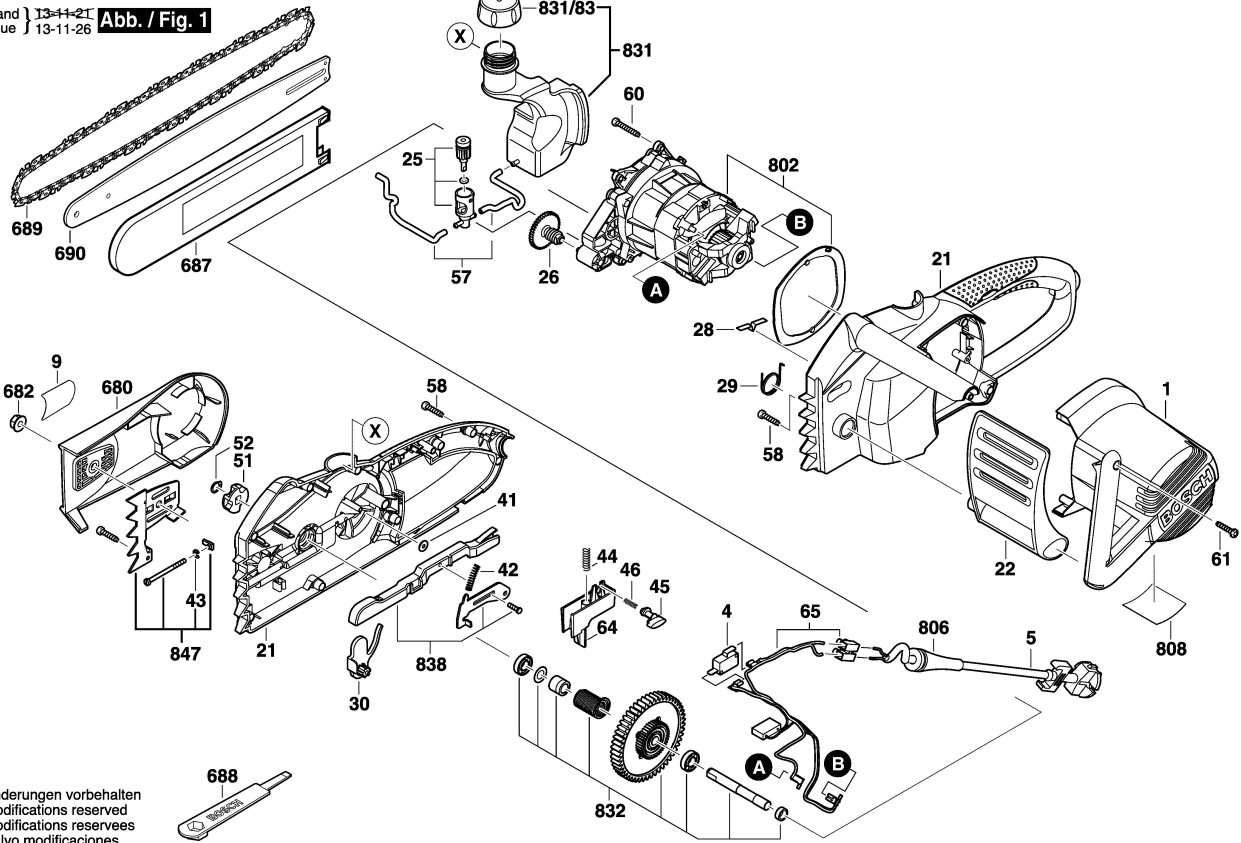


3 600 H34 000

Stand | 13-11-21  
Issue | 13-11-26 **Abb. / Fig. 1**



Änderungen vorbehalten  
Modifications reserved  
Modifications reserves  
Salvo modificaciones

