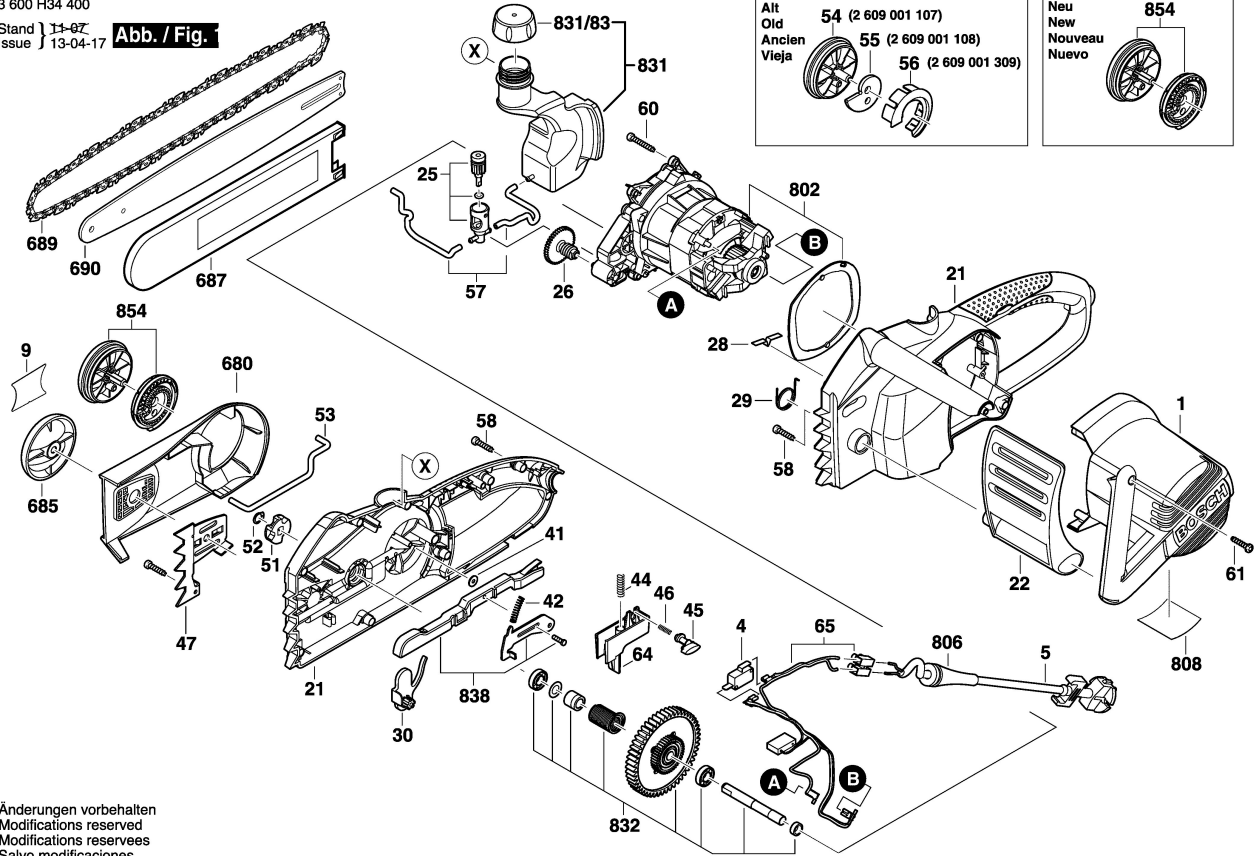


3 600 H34 400  
 Stand | 11-07  
 Issue | 13-04-17

Abb. / Fig.



Änderungen vorbehalten  
 Modifications reserved  
 Modifications reserves  
 Salvo modificaciones