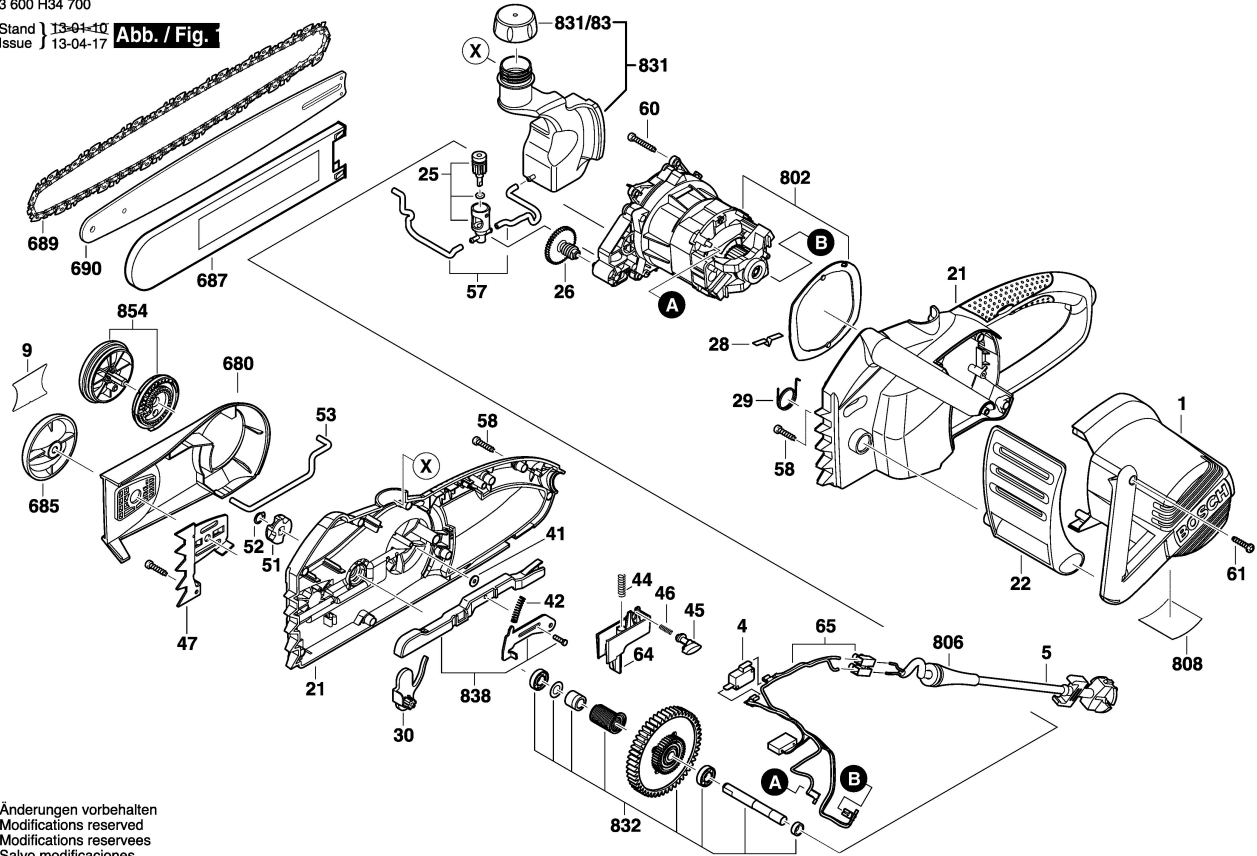


3 600 H34 700

Stand | 13-01-10
Issue | 13-04-17

Abb. / Fig.



Änderungen vorbehalten
Modifications reserved
Modifications reserves
Salvo modificaciones