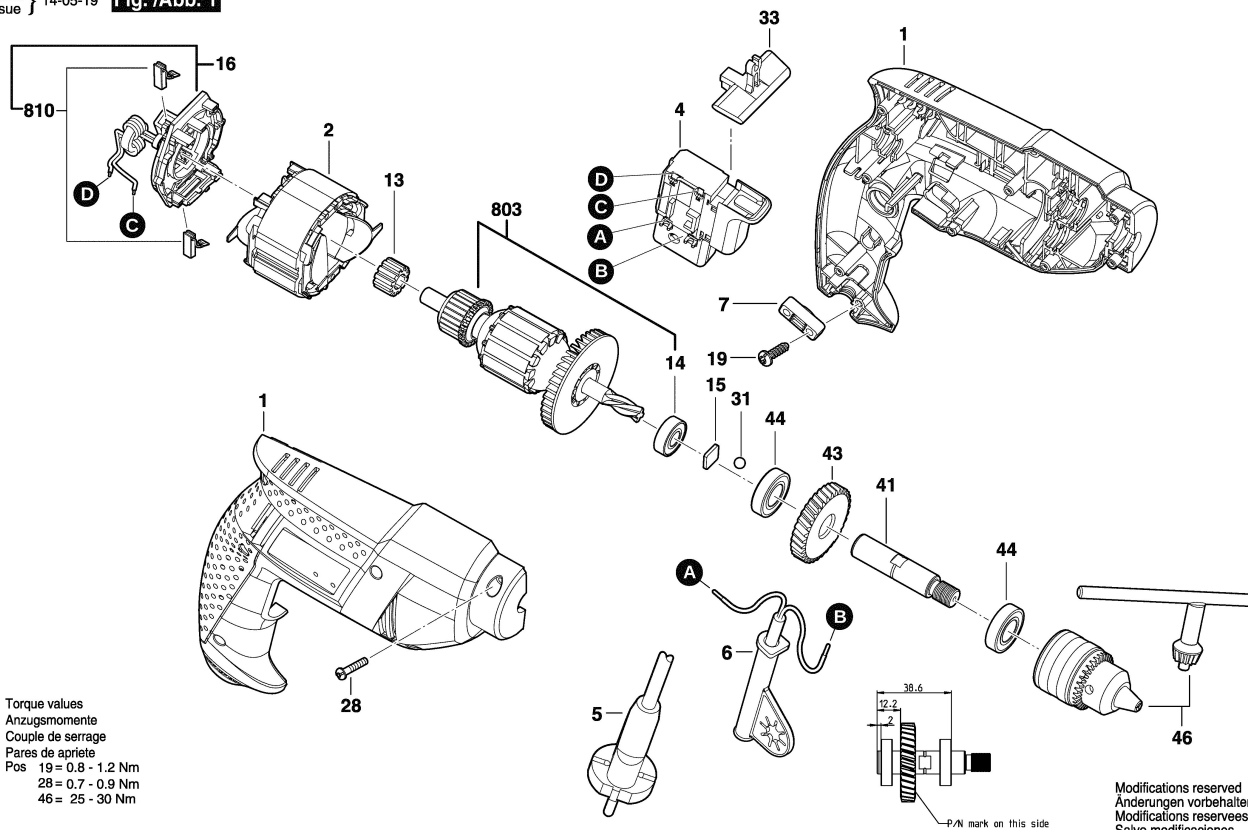


3 601 AA9 080

Stand } 14-05-19

Issue }

Fig. /Abb. 1



Torque values
Anzugsmomente
Couple de serrage
Pares de apriete
Pos 19 = 0.8 - 1.2 Nm
28 = 0.7 - 0.9 Nm
46 = 25 - 30 Nm

Modifications reserved
Änderungen vorbehalten
Modifications reserves
Salvo modificaciones