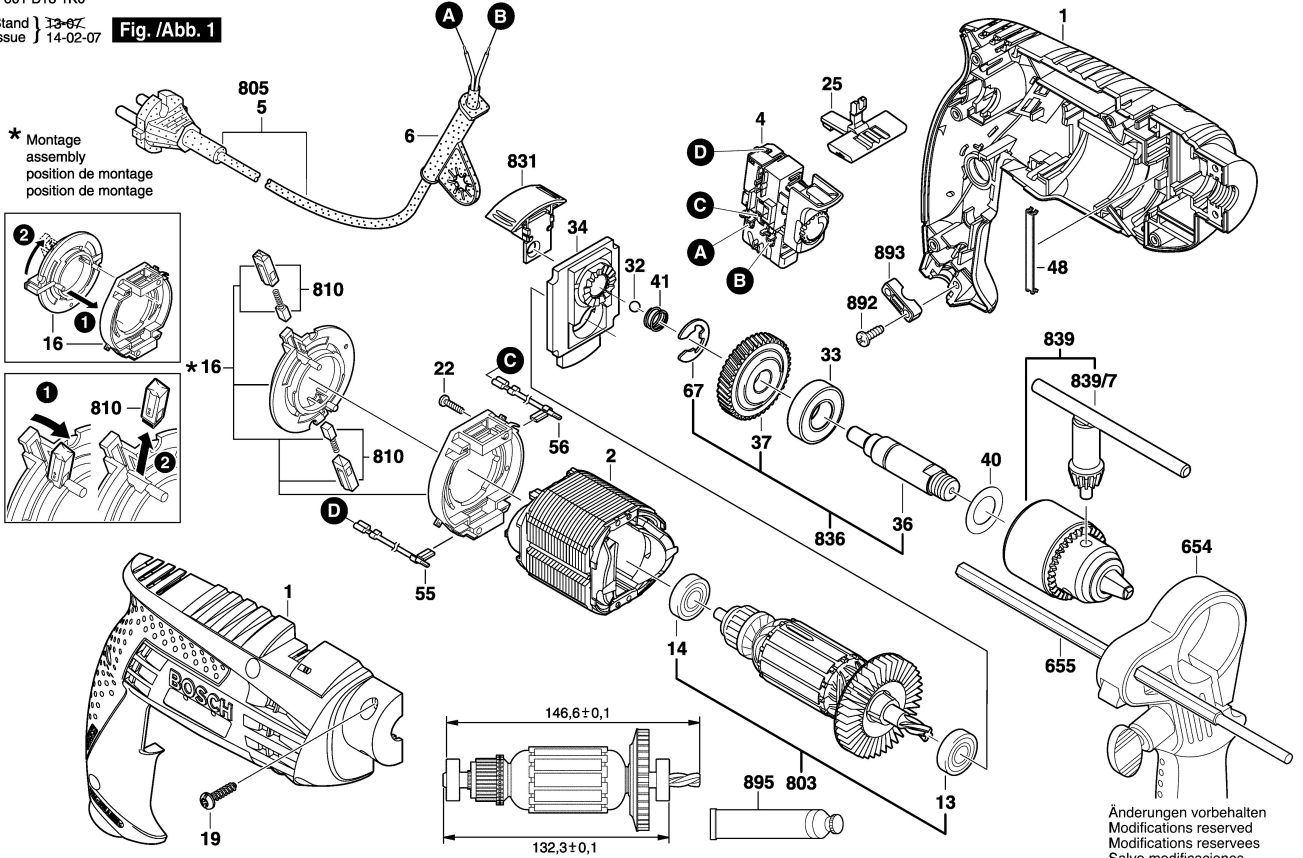
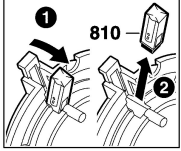
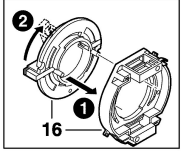


3 601 B18 1K0

Stand } 13-07
Issue } 14-02-07

Fig./Abb. 1

* Montage
assembly
position de montage
position de montage



Änderungen vorbehalten
Modifications reserved
Modifications reserves
Salvo modificaciones