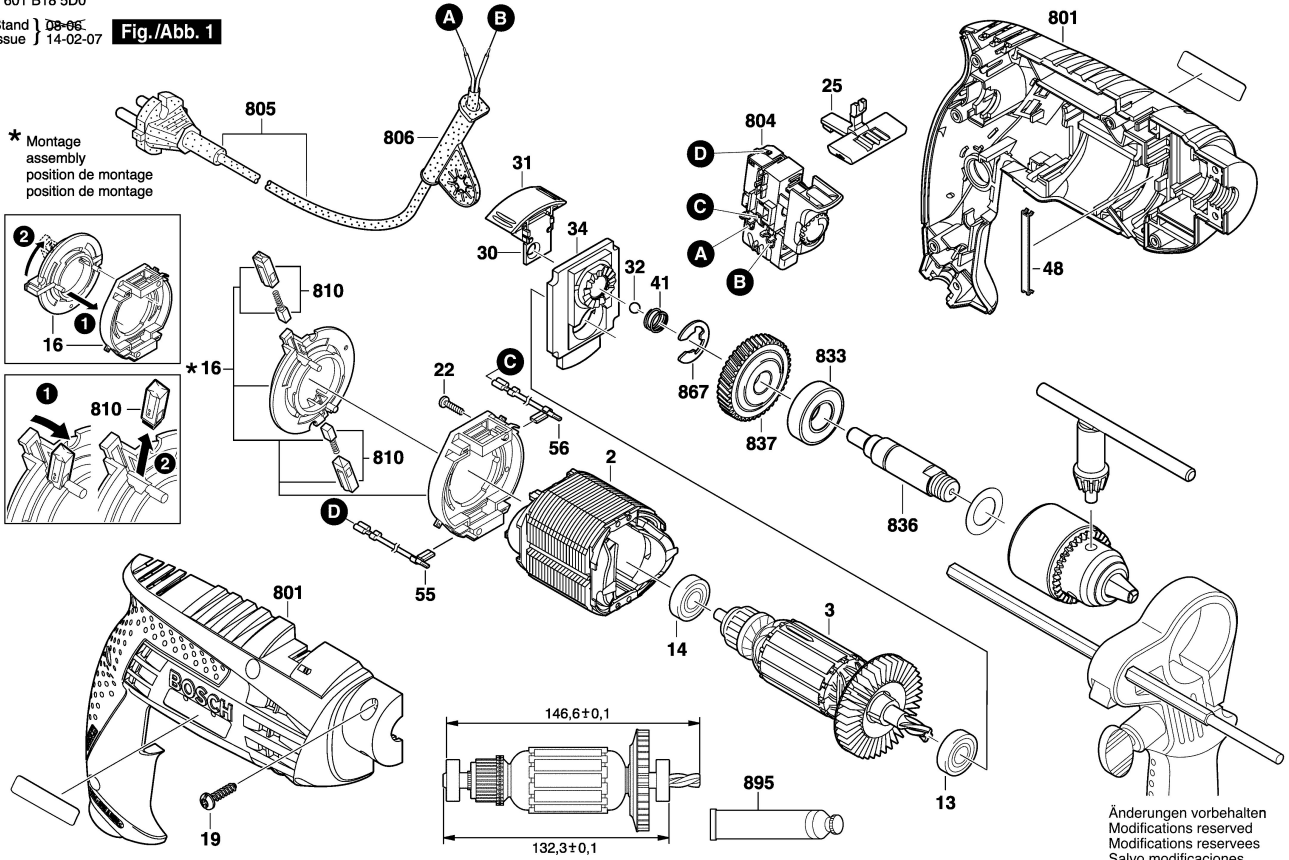
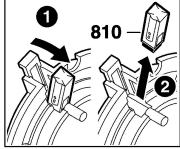
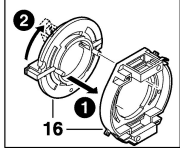


3 601 B18 5D0

Stand } 08-06
Issue } 14-02-07

Fig./Abb. 1

* Montage
assembly
position de montage
position de montage



Änderungen vorbehalten
Modifications reserved
Modifications reserves
Salvo modificaciones