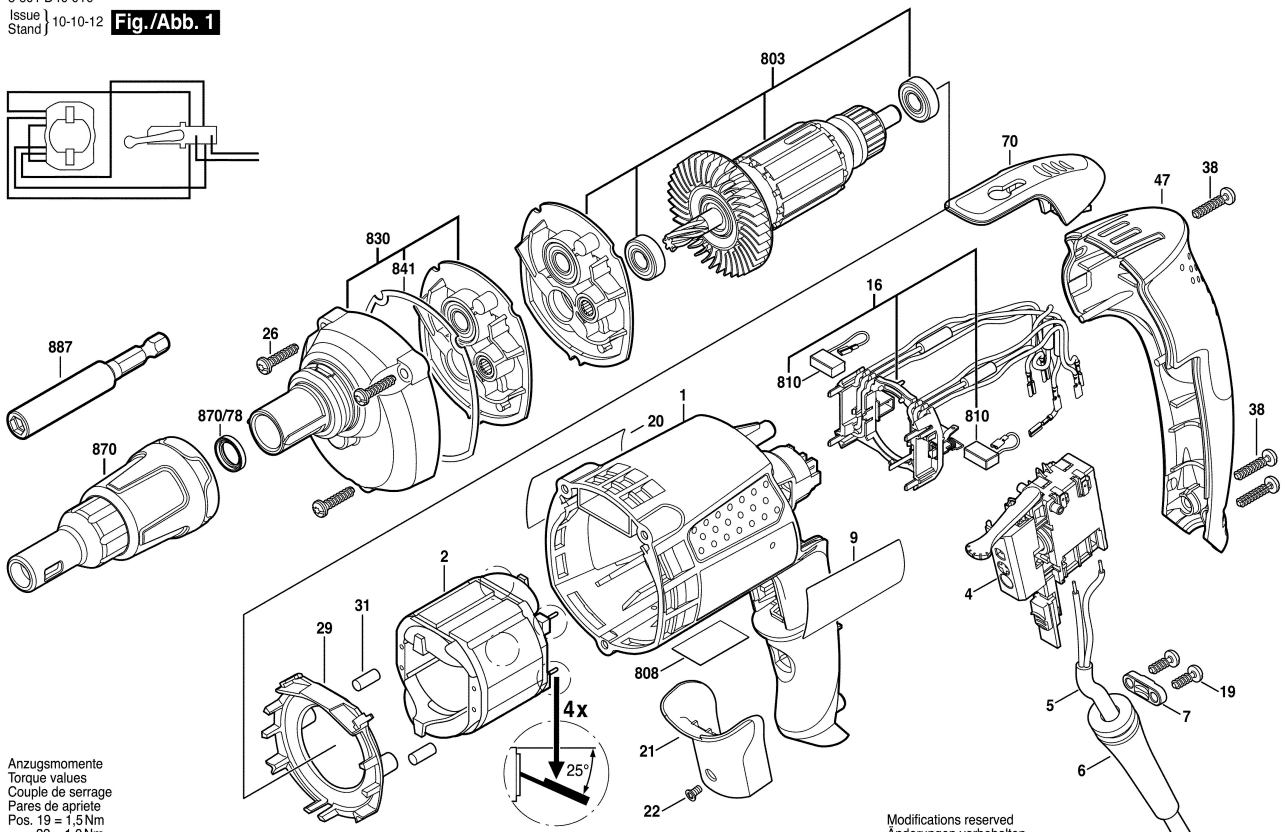


3 601 D40 010
 Issue } 10-10-12
 Stand }

Fig./Abb. 1



Anzugsmomente
 Torque values
 Couple de serrage
 Pares de apriete
 Pos. 19 = 1,5 Nm
 22 = 1,0 Nm
 26 = 2,0 Nm
 38 = 2,0 Nm

Modifications reserved
 Änderungen vorbehalten
 Modifications reserves
 Salvo modificaciones