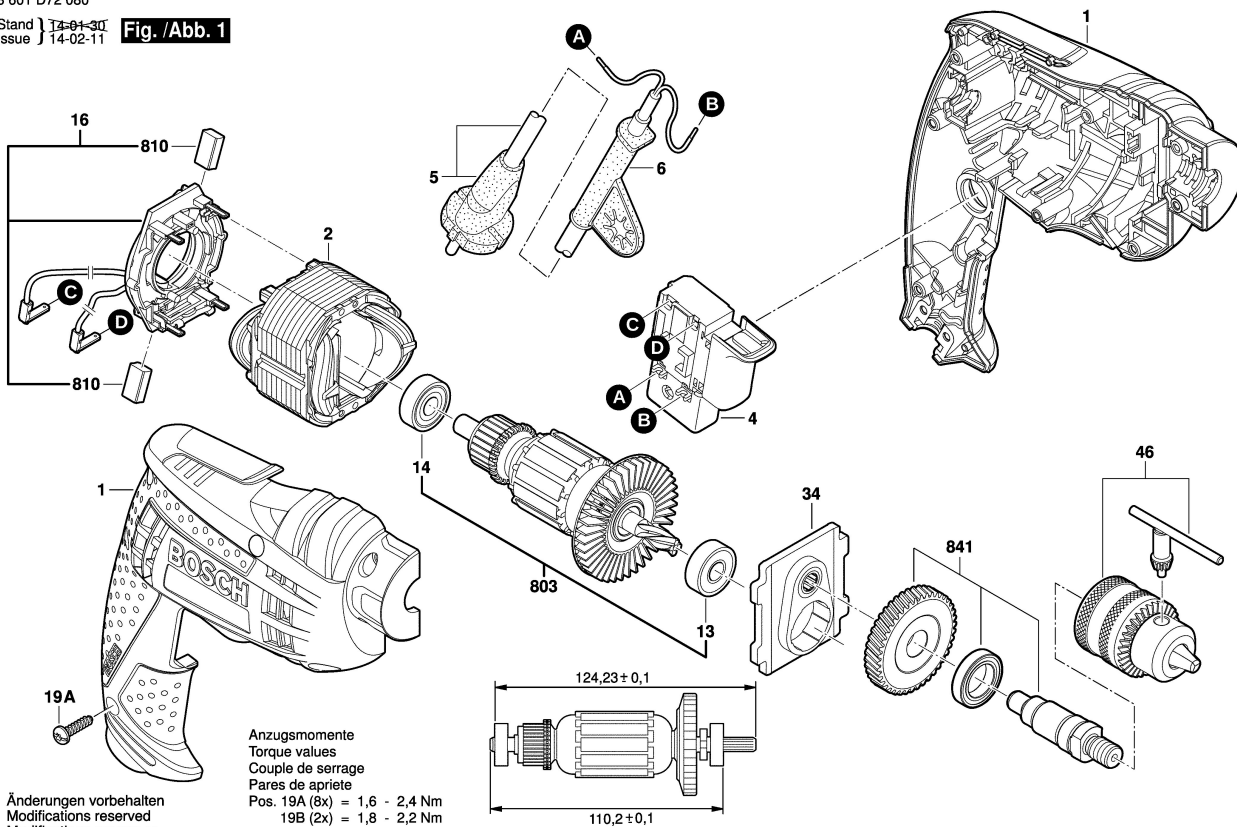


3 601 D72 080

Stand | 14-01-30
Issue | 14-02-11

Fig./Abb. 1



Änderungen vorbehalten
Modifications reserved
Modifications reserves
Salvo modificaciones