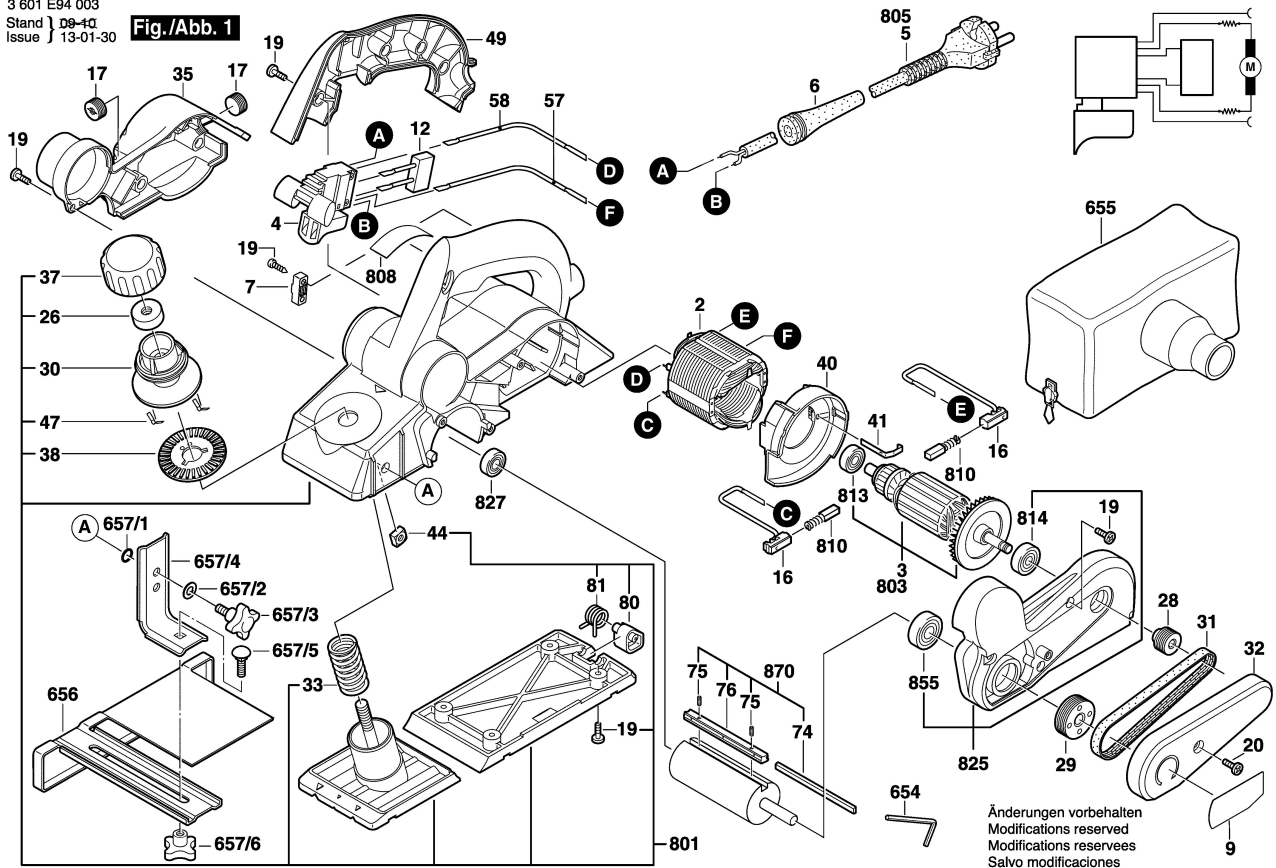


3 601 E94 003  
Stand | 09-11  
Issue | 13-01-30

Fig./Abb. 1



Änderungen vorbehalten  
Modifications reserved  
Modifications reserves  
Salvo modificaciones