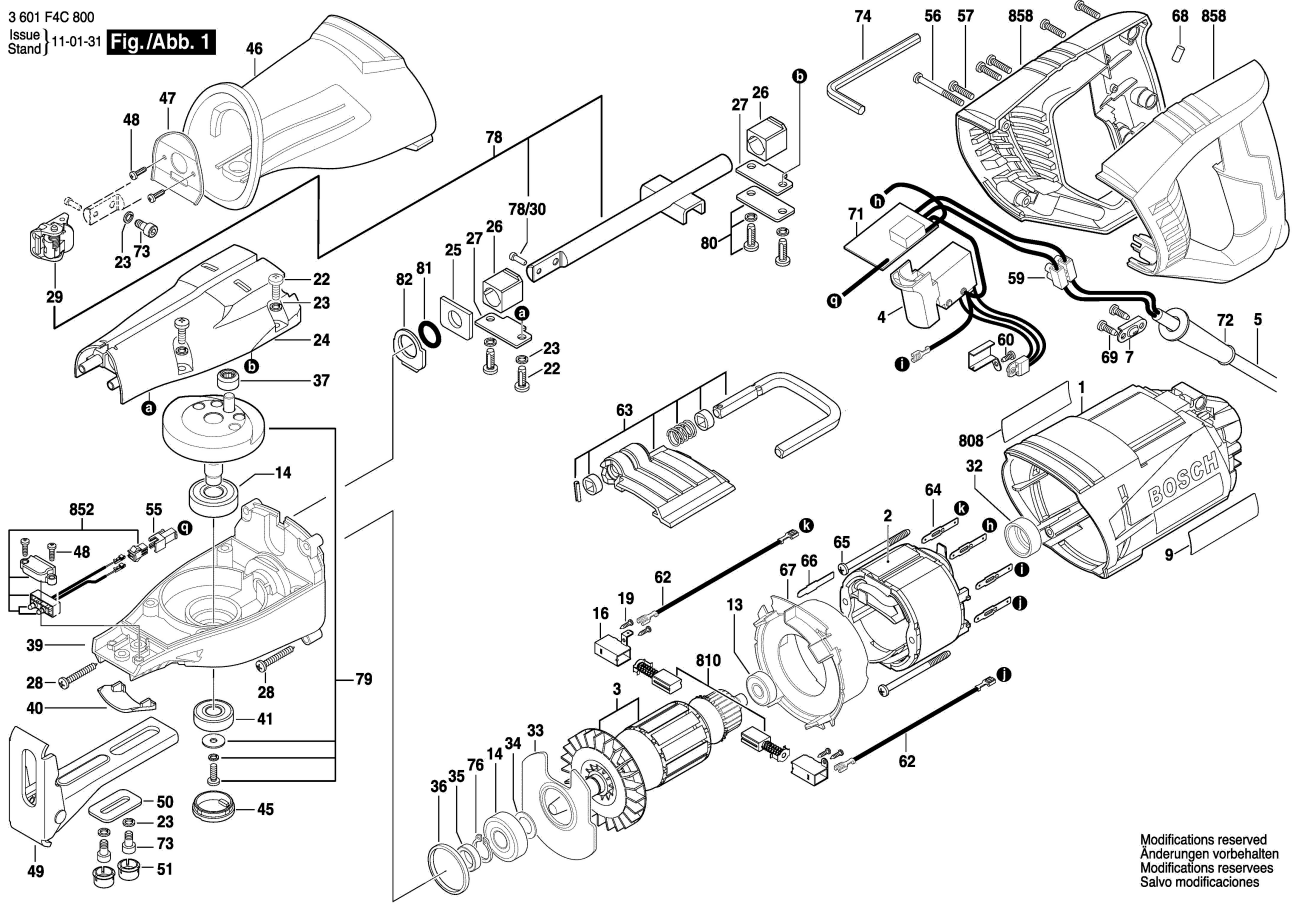


3 601 F4C 800
 Issue 11-01-31
 Standj

Fig./Abb. 1



Modifications reserved
 Änderungen vorbehalten
 Modifications reserves
 Salvo modificaciones