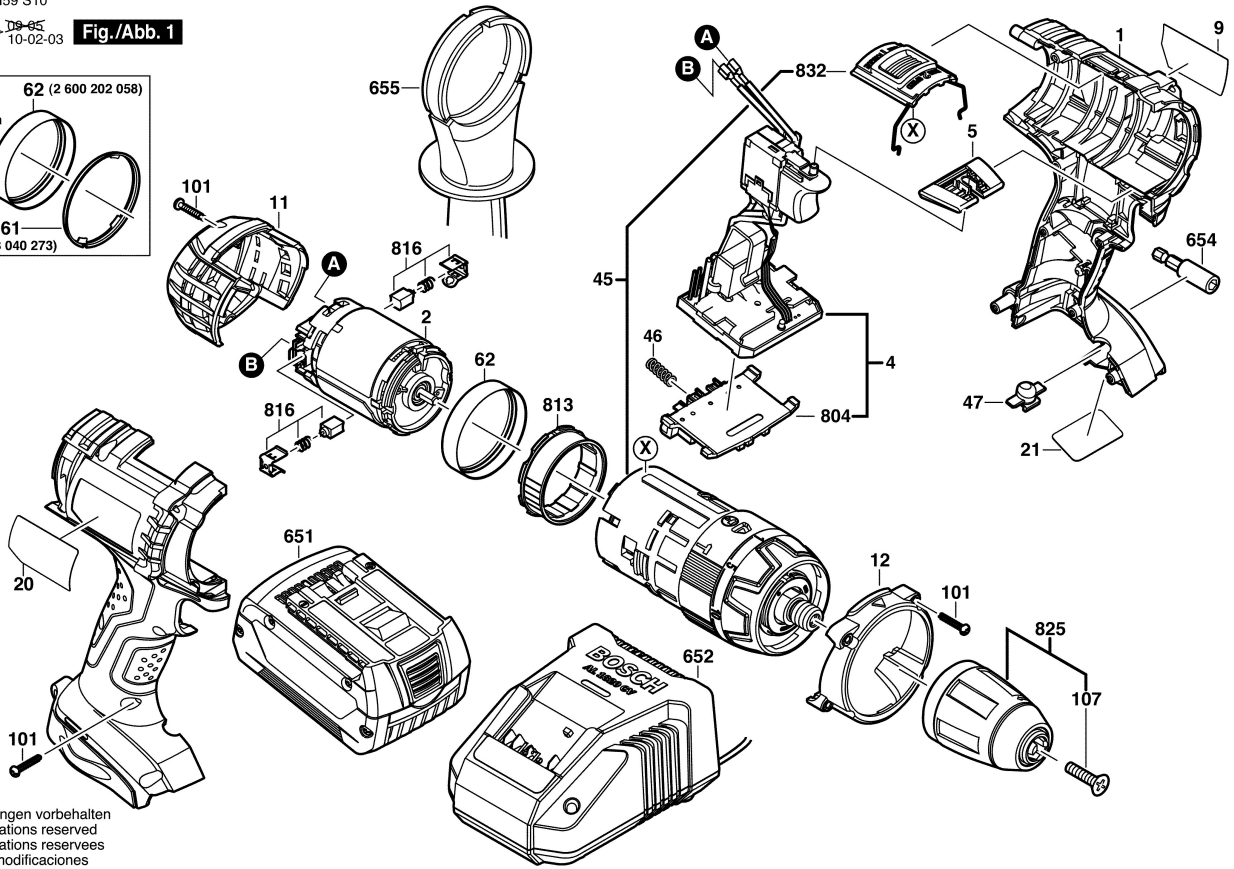
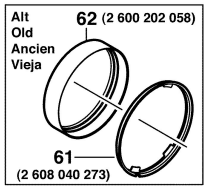


3 601 H59 S10

Stand 10-02-03  
Issue 10-02-03

Fig./Abb. 1



Änderungen vorbehalten  
Modifications reserved  
Modifications reserves  
Salvo modificaciones