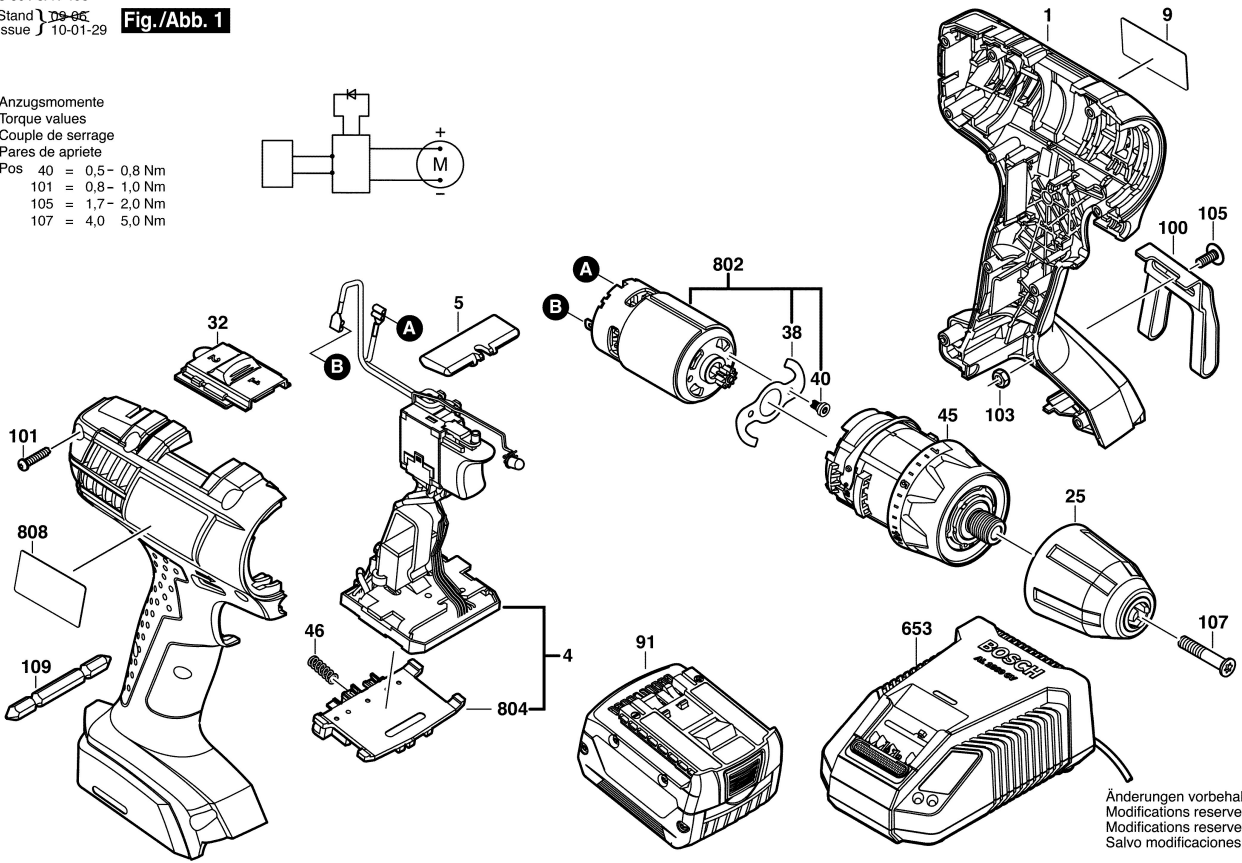


3 601 JA4 400
 Stand 10-01-29
 Issue J 10-01-29

Fig./Abb. 1

Anzugsmomente
 Torque values
 Couple de serrage
 Pares de apriete

- Pos 40 = 0,5 - 0,8 Nm
- 101 = 0,8 - 1,0 Nm
- 105 = 1,7 - 2,0 Nm
- 107 = 4,0 - 5,0 Nm



Änderungen vorbehalten
 Modifications reserved
 Modifications reserves
 Salvo modificaciones