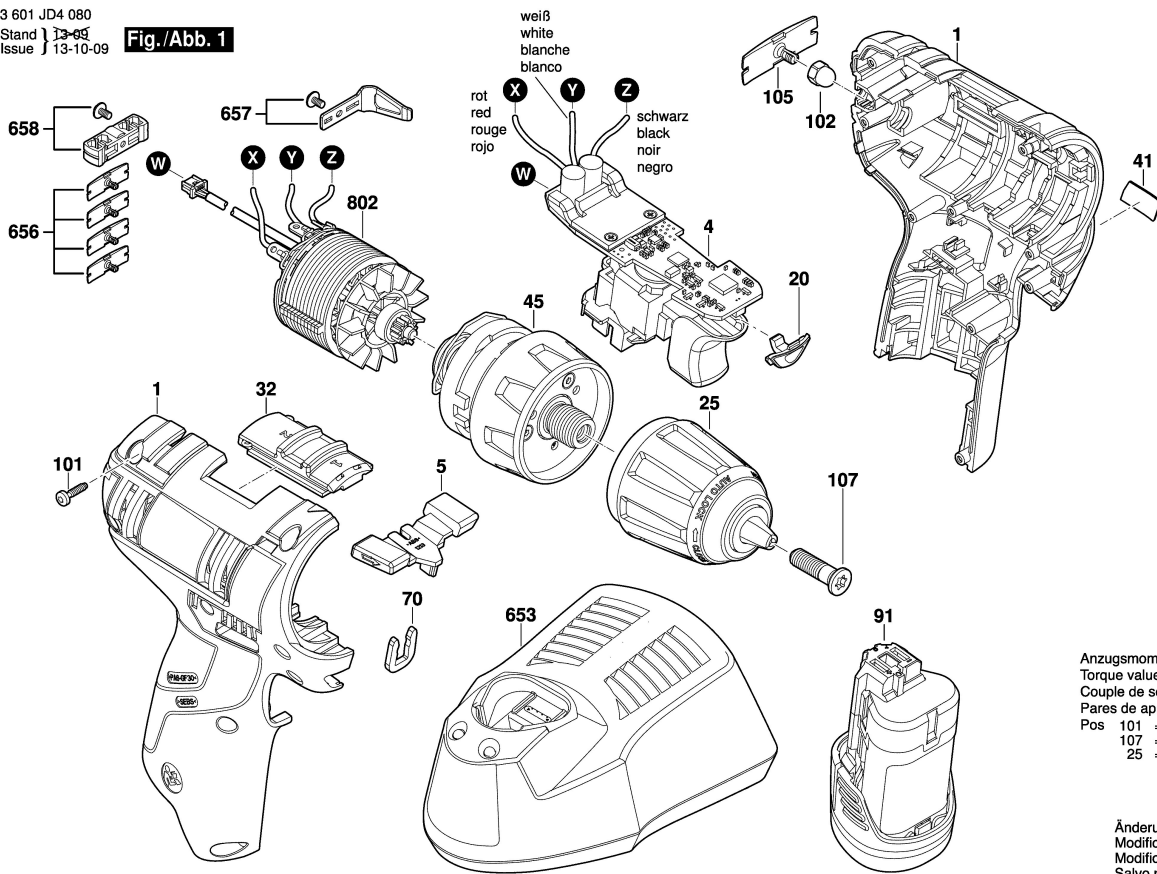


3 601 JD4 080  
 Stand | 13-09  
 Issue | 13-10-09

**Fig./Abb. 1**



Anzugsmomente  
 Torque values  
 Couple de serrage  
 Pares de apriete  
 Pos 101 = 0,4 - 0,6 Nm  
 107 = 5,0 - 8,0 Nm  
 25 = > 15,0 Nm

Änderungen vorbehalten  
 Modifications reserved  
 Modifications reserves  
 Salvo modificaciones