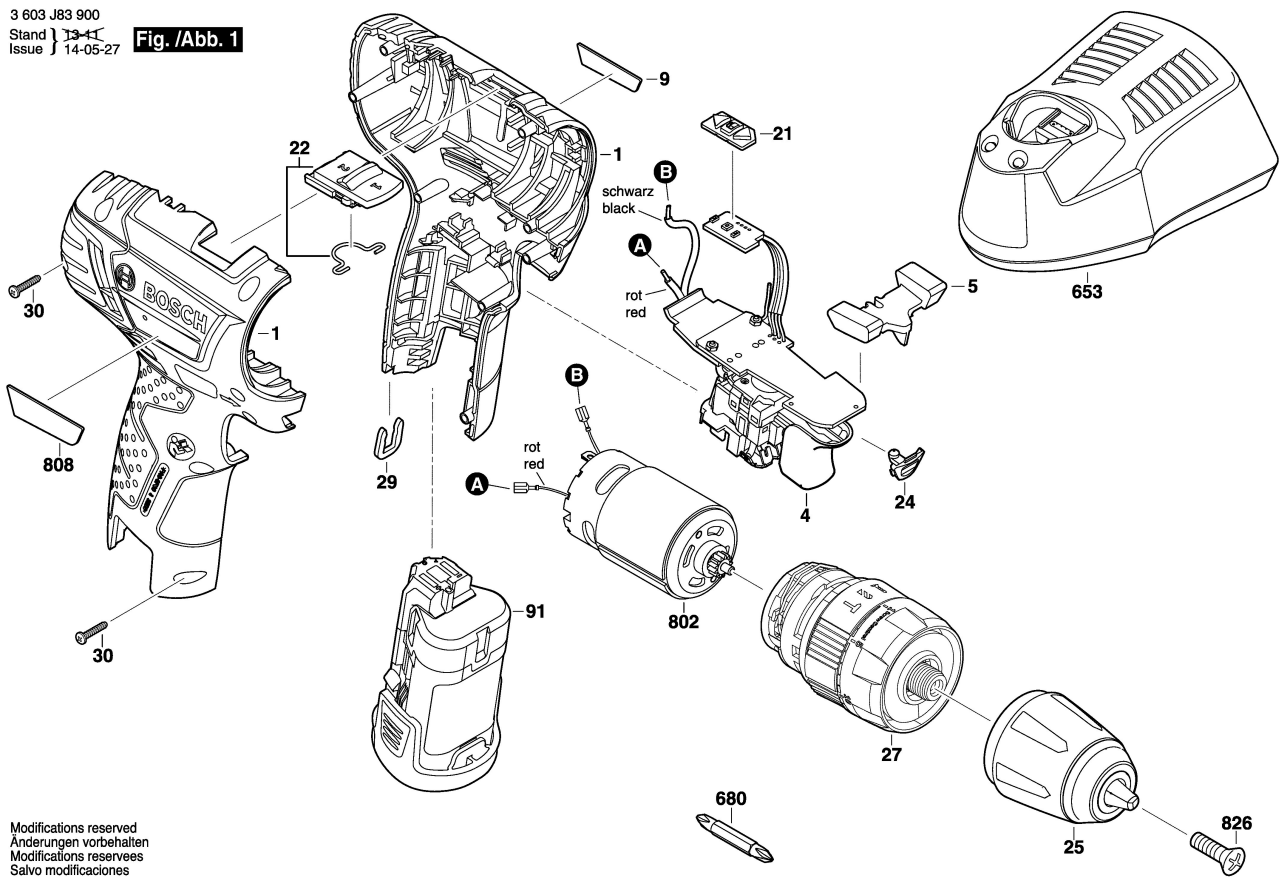


3 603 J83 900  
Stand | 13-11  
Issue | 14-05-27

Fig. /Abb. 1



Modifications reserved  
Änderungen vorbehalten  
Modifications reserves  
Salvo modificaciones