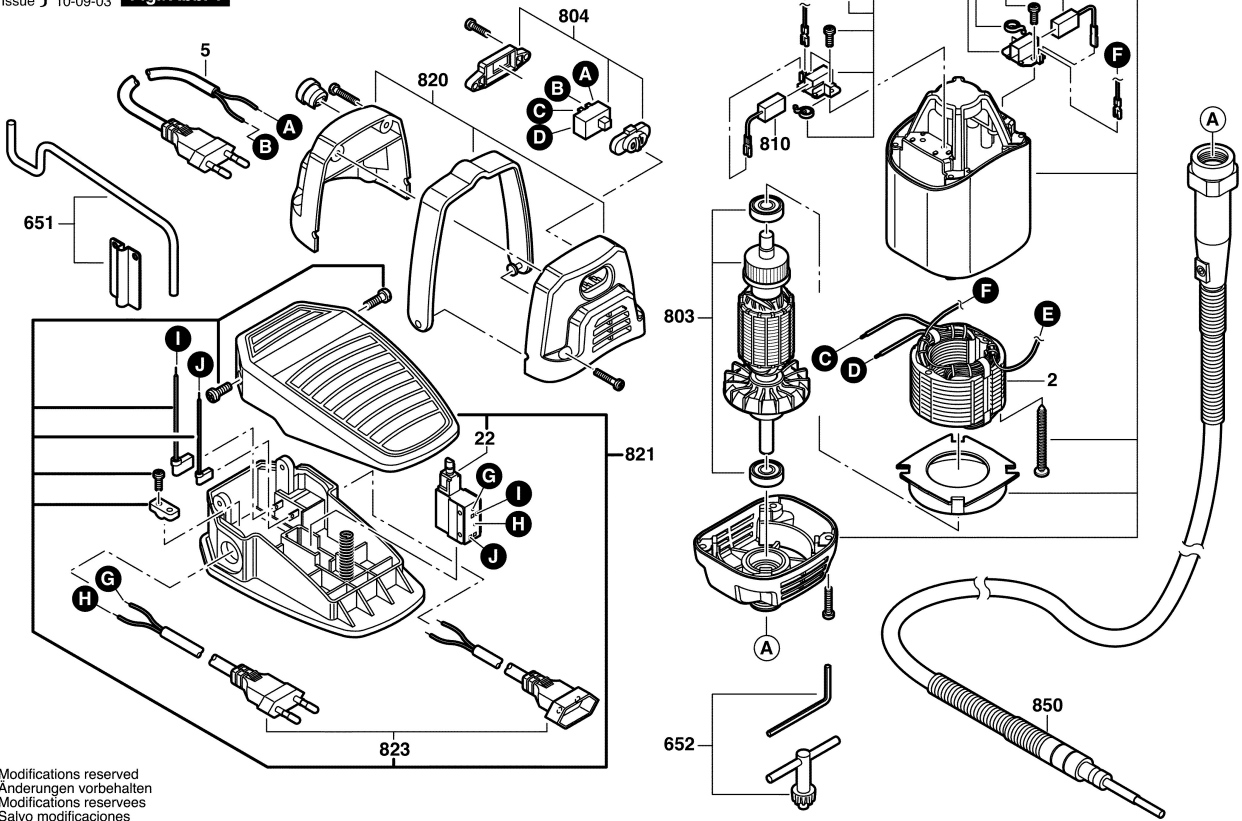


F 013 910 047

Stand 10-04
Issue 10-09-03

Fig./Abb. 1



Modifications reserved
Änderungen vorbehalten
Modifications reserves
Salvo modificaciones