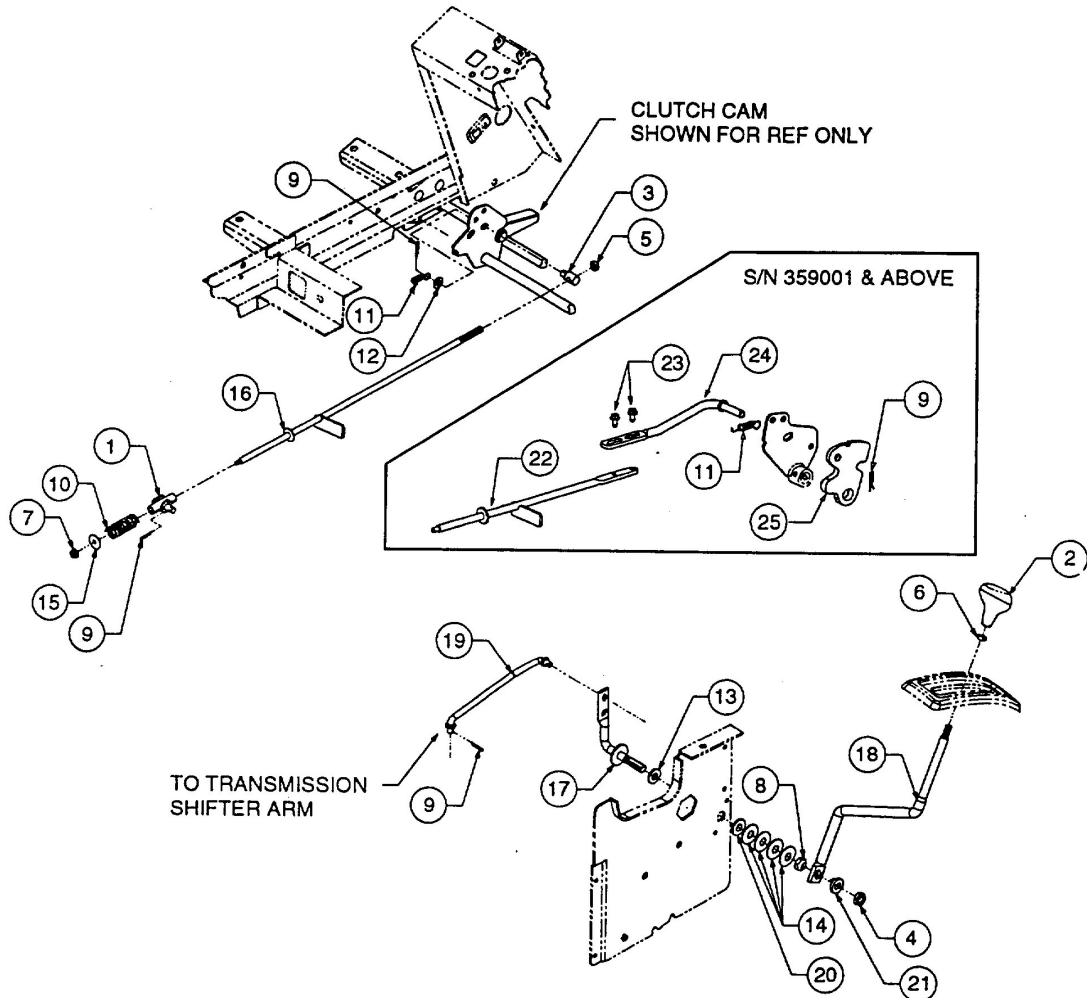


TRANSMISSION CONTROLS



REF. NO.	PART NUMBER	DESCRIPTION	QTY.	REF. NO.	PART NUMBER	DESCRIPTION	QTY.
1	603-0272	Pivot Assy, Sleeve	1	14	736-3022	Washer, Bell, .406 x .75 x .063	4
2	631-0009	Knob, Shifter	1	15	736-3092	Washer, Flat, .265 x 1.0 x .030 Hdn	1
3	711-3397	Ferrule, Adjustment	1	16	603-0383	Rod, Clutch Adjustment	1
		(Serial No. 359000 and Below)				(Serial No. 359000 and Below)	
4	712-3053	Nut, Hex Top Lock, 1/2-20	1	17	747-3251A	Rod, Shift	1
5	712-3001	Nut, Hex Jam, 3/8-24 GR5	1	18	747-3252	Rod, Gear Selector	1
		(Serial No. 359000 and Below)		19	747-3256	Link, 6-Speed Shifter	1
6	712-3008	Nut, Hex Jam, 3/8-16 GR5	1	20	748-3057	Bushing, Shoulder	1
		(Serial No. 359000 and Below)		21	748-3058	Hub, Shift	1
7	712-3027	Nut, Hex Flange Lock, 1/4-20	1	22	603-0415	Rod, Clutch	1
8	712-0333	Nut, Hex, 1/2-20	1			(Serial No. 359001 & Above)	
9	714-0104	Pin, Internal Cotter, 5/16 x 1.12	3	23	710-0599	Screw, Hex Wash Hd Tapp, 1/4-20 x .5	2
10	732-3094	Spring, Compression, .63 ID x 2.0 Lg ..	1			(Serial No. 359001 & Above)	
11	732-3118	Spring, Extension, .38 OD x 1.44 Lg	1	24	747-3304	Rod, Front Control	1
12	736-0185	Washer, Flat, .406 x .75 x .063	1			(Serial No. 359001 & Above)	
		(Serial No. 359000 and Below)		25	748-3073	Plate, 6-Speed Cruise	1
13	736-0326	Washer, Flat, .510 x 1.0 x .125	1			(Serial No. 359001 & Above)	