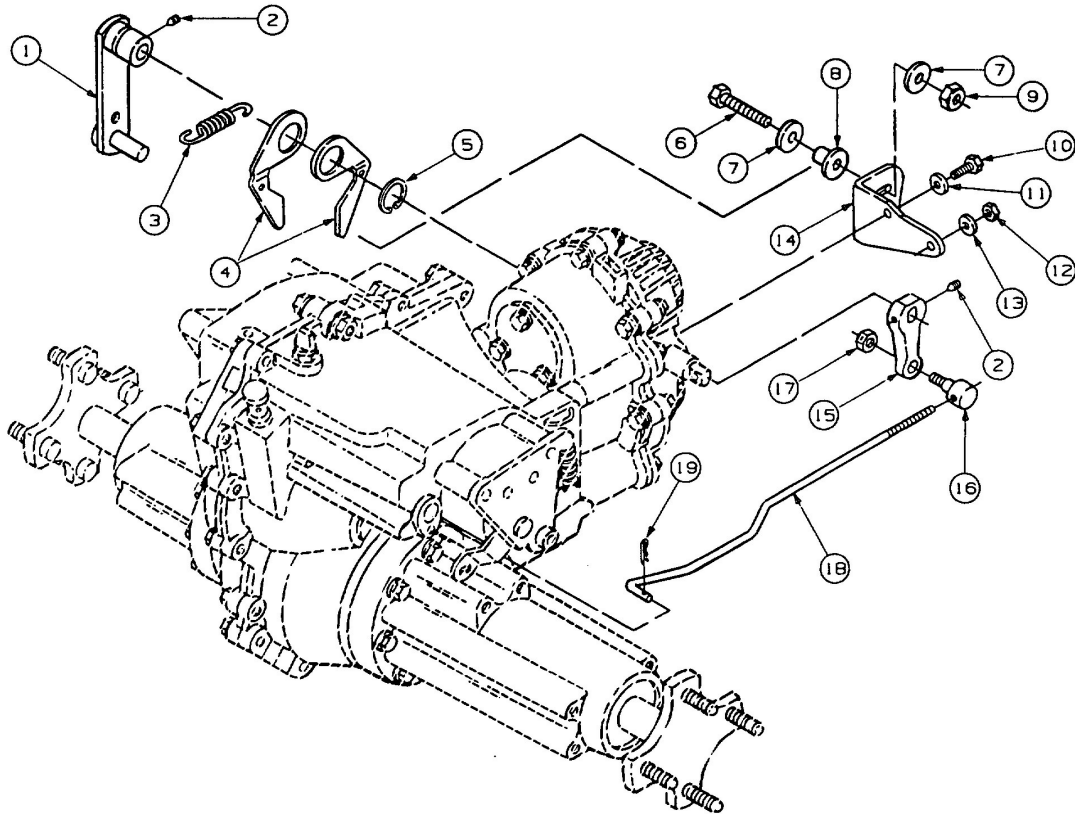


CLUTCH AND NEUTRAL LINKAGE



REF. NO.	PART NUMBER	DESCRIPTION	QTY	REF. NO.	PART NUMBER	DESCRIPTION	QTY
1	603-0160	Arm Assy, Control .....	1	10	710-0190	Screw, Hex Cap, 5/16-18 X ..... 4.0 Lg	1
2	710-3242	Screw w/Patch, Set .....	2	11	736-0119	Washer, Lock, 5/16 .....	1
3	732-3125	Spring, Extension, .477 OD X .. 1.68 Lg	1	12	712-3051	Nut, Hex Top Lock, 1/4-20 .....	1
4	703-2441	Arm, Neutral .....	2	13	736-0463	Washer, Flat, .25 X .62 X ..... .052 Thk	1
5	716-0111	Ring, Snap, .875 Shaft .....	1	14	703-2439	Bracket, 6-Speed Neutral .....	1
6	710-0106	Screw, Hex Cap, 1/4-20 X ..... 1.25 Lg	1	15	718-3015	Arm, Clutch/Brake .....	1
7	736-0176	Washer, Flat, .25 X .93 X ..... .120 Thk	2	16	711-3384	Ferrule .....	1
8	750-0918	Spacer, Centering .....	1	17	712-3009	Nut, Hex Center Lock, ..... 5/16-18 GR5	1
9	712-0324	Nut, Hex Top Lock, 1/4-20 .....	1	18	747-3224	Rod, Shift Interlock .....	1
				19	714-0104	Pin, Internal Cotter .....	1