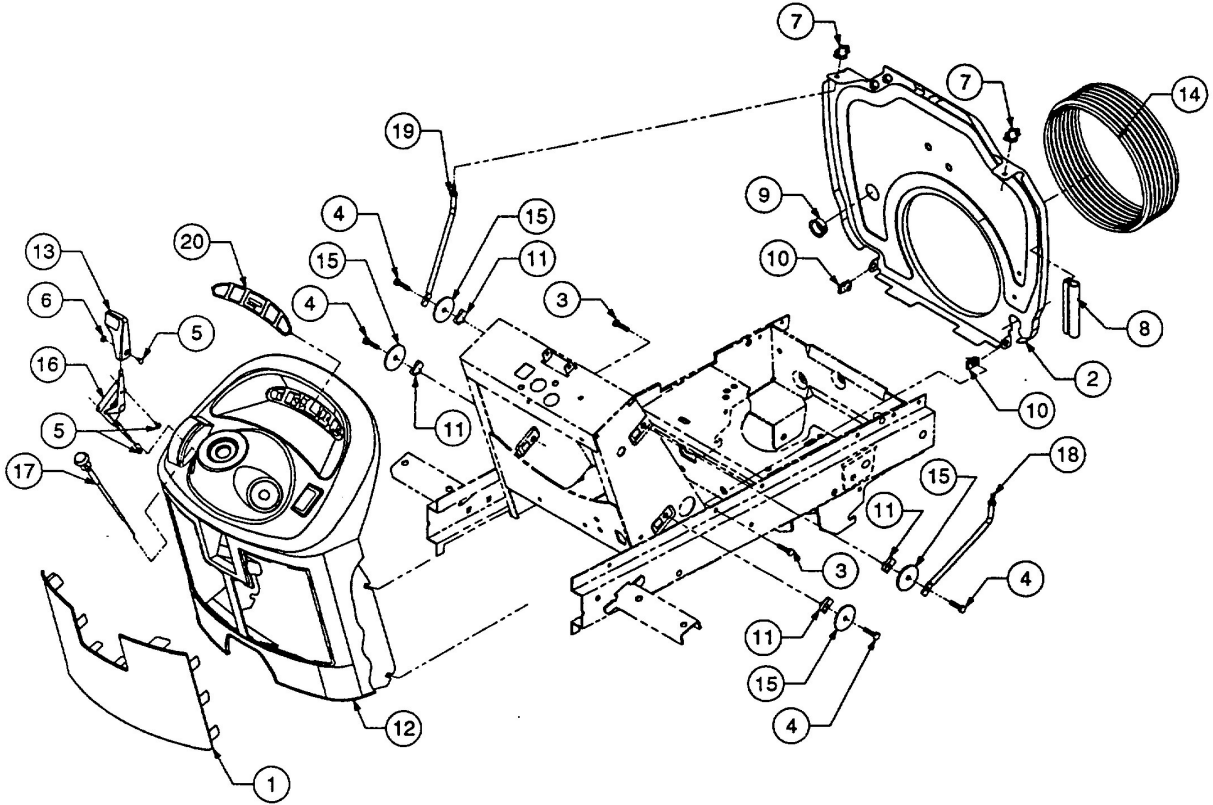


**BULKHEAD, DASH PANEL AND ENGINE CONTROLS**



REF. NO.	PART NUMBER	DESCRIPTION	QTY.	REF. NO.	PART NUMBER	DESCRIPTION	QTY.
1	703-2557	Screen, Intake Dash .....	1	12	731-3137	Panel, Dash .....	1
2	703-2562B	Bulkhead, Lower .....	1		777-1703	Graphic, Ignition Switch .....	1
3	710-0258	Screw, Hex Cap, 1/4-20 x .625 .....	2			(Serial No. 359000 and Below)	
4	710-0597	Screw, Hex Cap, 1/4-20 x 1.0 .....	4		731-3137A	Panel, Dash .....	1
5	710-3217	Screw, Cross Rec Truss Hd, #8-32 x .38	3		777-4317	Graphic, Ignition Switch .....	1
6	712-0142	Nut, #8-32 .....	1			(Serial No. 359001 and Above)	
7	712-0397	Nut, Wing w/Bell Washer 1/4-20 .....	2	13	731-3161	Knob, Throttle .....	1
8		Seal, Push-on Trim, 1/4 .....	1	14	731-3166	Boot, Intake .....	1
		(Order part no. 720-3024, 28" Lg & cut to fit)		15	736-3128	Washer, Flat, .285 x 1.75 x .10 .....	4
9	723-3042	Bushing, Snap, 7/8 ID .....	1	16	746-3035	Control, Throttle .....	1
10	726-3048	Nut, U-Type Speed, 1/4-20 .....	2	17	746-3051	Control, Choke .....	1
11	726-3054	Nut, U-Clip, 1/4-20 .....	4	18	747-3226	Rod, RH Mounting .....	1
				19	747-3227	Rod, LH Mounting .....	1
				20	777-4267	Label, Dash .....	1