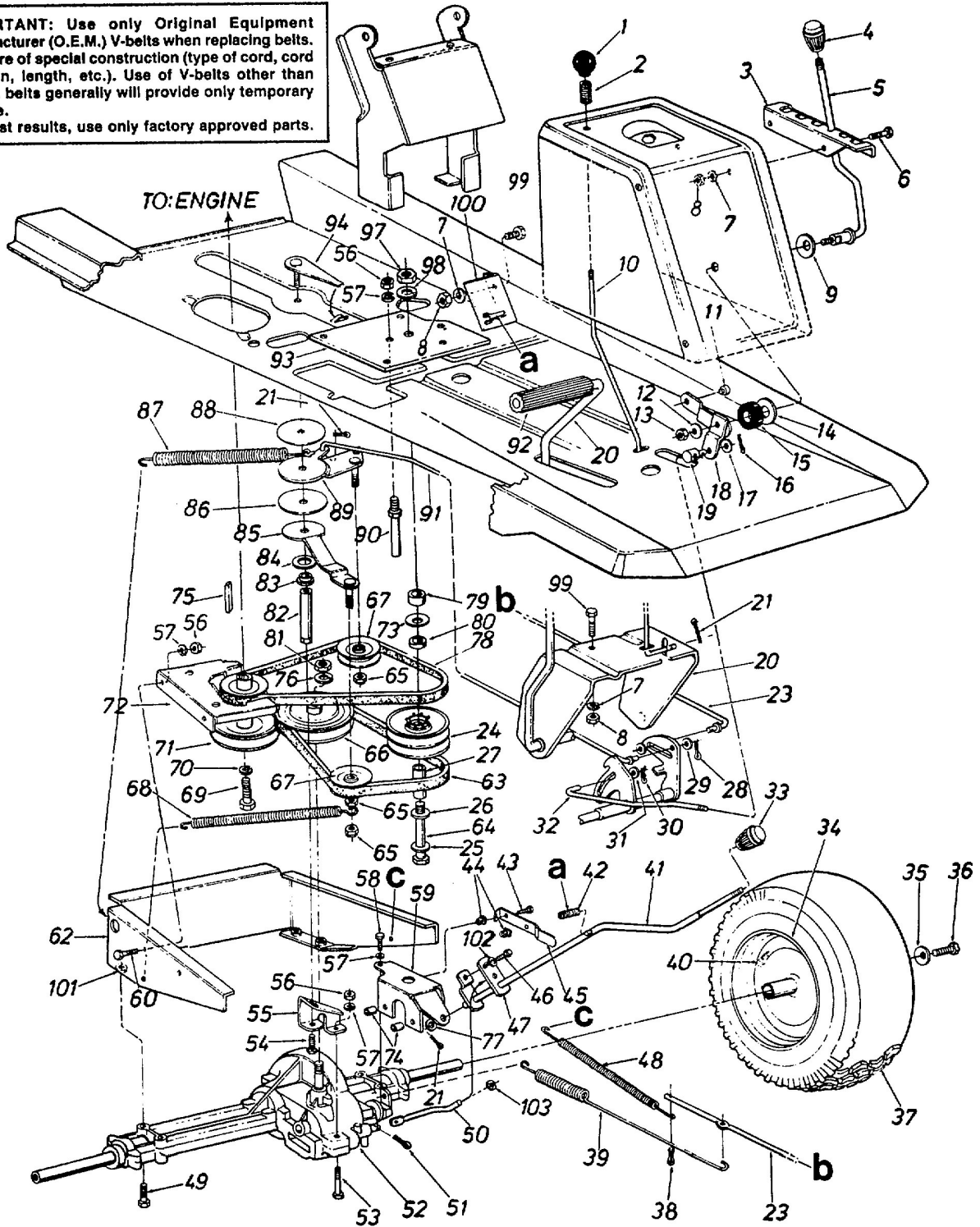


Models 501 and 504

IMPORTANT: Use only Original Equipment Manufacturer (O.E.M.) V-belts when replacing belts. They are of special construction (type of cord, cord location, length, etc.). Use of V-belts other than O.E.M. belts generally will provide only temporary service. For best results, use only factory approved parts.



NOTE: If brand of tire is important, order by part number and description (description is printed on the sidewall of tire) [i.e. Armstrong Super Turf, Goodyear Softrac, Carlisle Turf Saver, etc.].