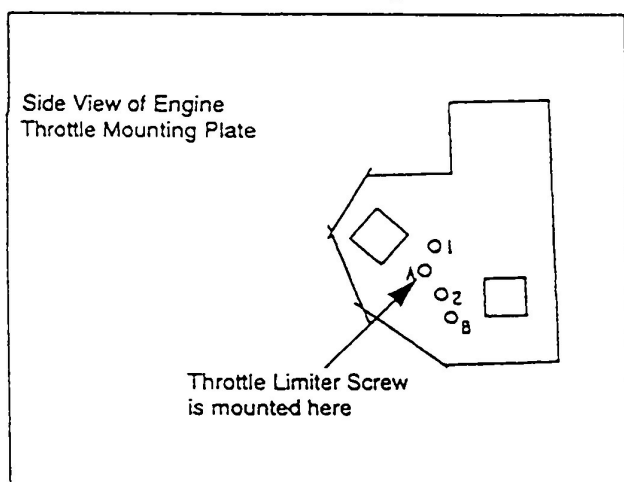


# Throttle Limiters

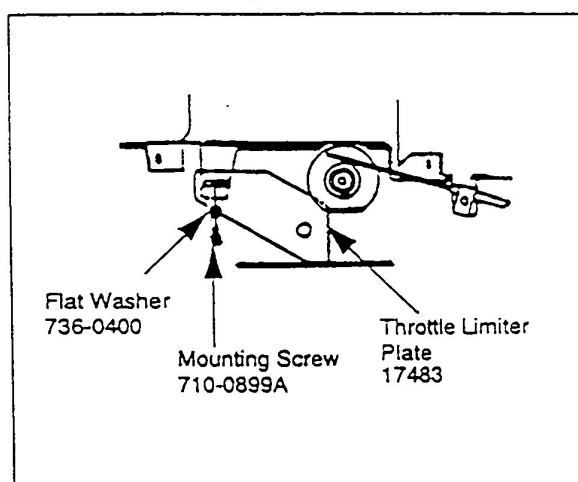
Many lawn tractors, built for international use, are modified to comply with EEC Directive 538. According to this directive, the following special parts have been added to the models covered in this book:

Briggs & Stratton Engines		Twin Cylinder Vanguard	
Description	Part Number	Description	Part Number
Throttle Limiter Screw # 10 x .5"	<u>710-0456</u>	Throttle Limiter Plate Screw #10-32 x .62" Washer .218" I.D. x .62" O.D.	17483 710-0899A 736-0400

## Briggs & Stratton Engines



## Twin Cylinder Vanguard



To comply with EEC Directive 538, the maximum allowable engine speed is:

Horsepower	RPM
8	2700
11	2500
12	2500
14	2800
16	2800
18 Vanguard	2800

E3-01307 A