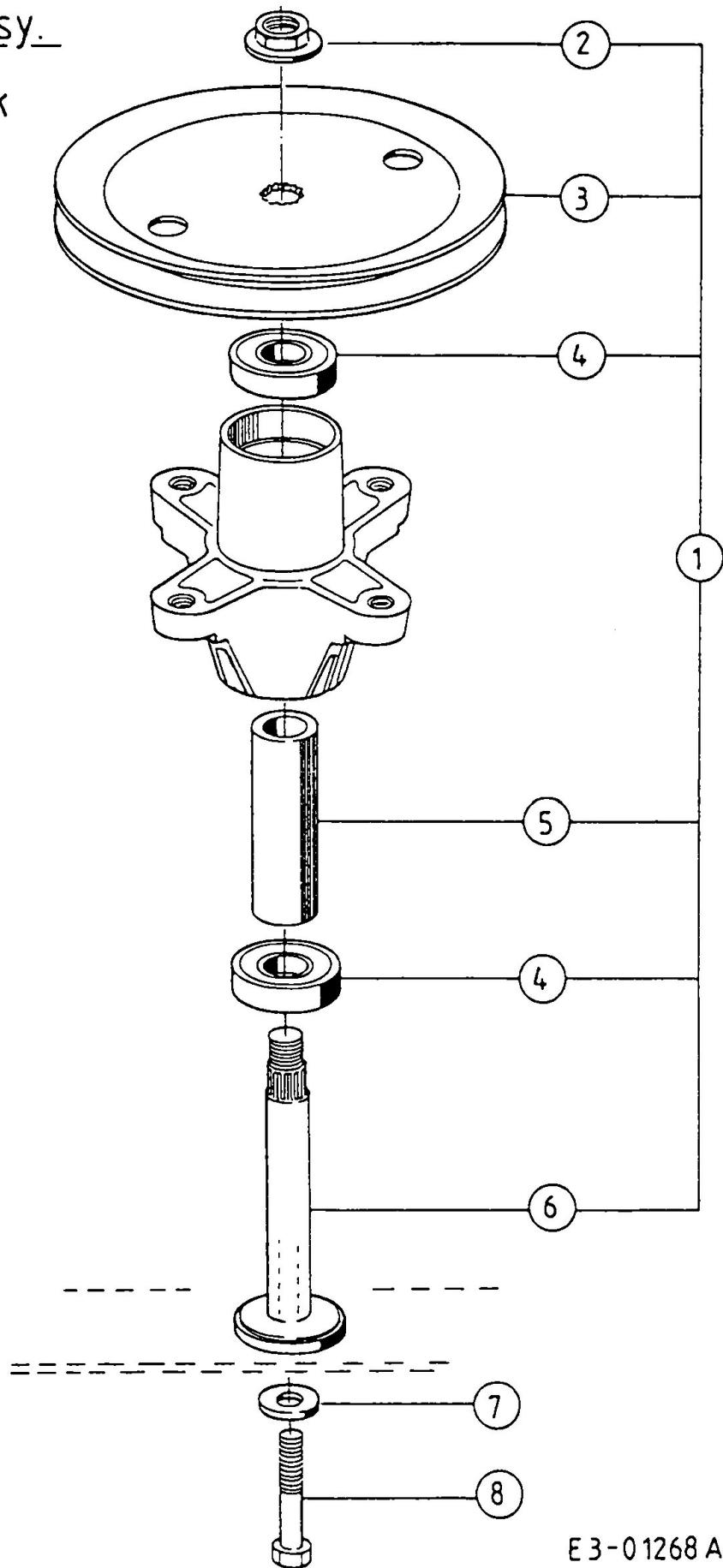


Spindle assy.

C / A-Deck

MODEL 400 ...



E3-01268 A