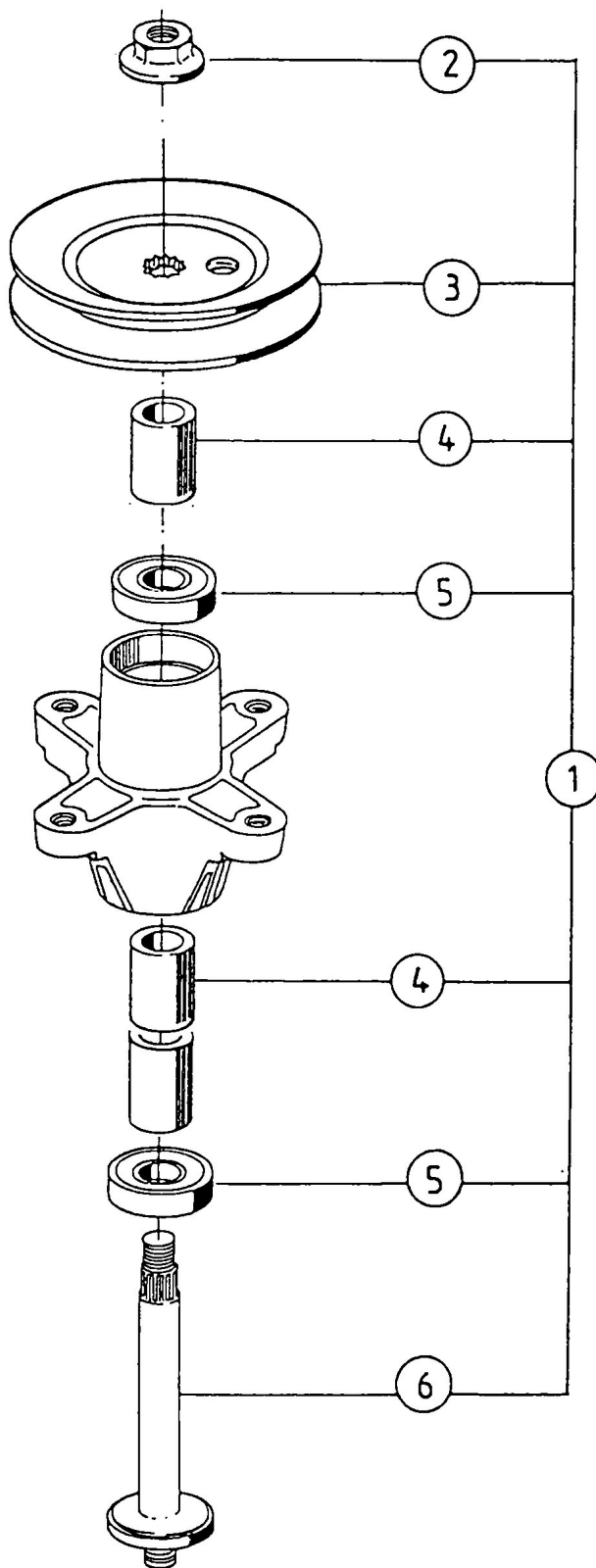


# E-Deck (400-er HYDRO)

618-0408 Spindle assy.



E3-01364 A