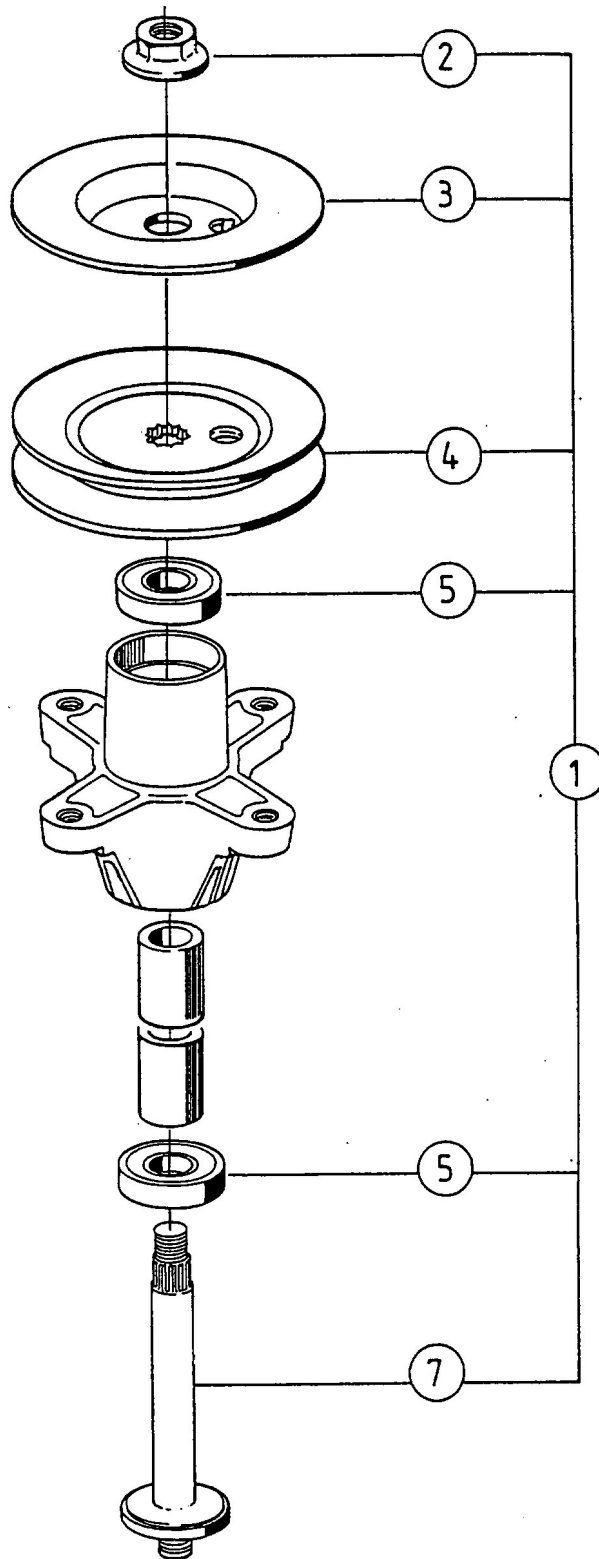


Spindle assy.

F-Deck (new)

MODEL 400 ...



E3-01269A