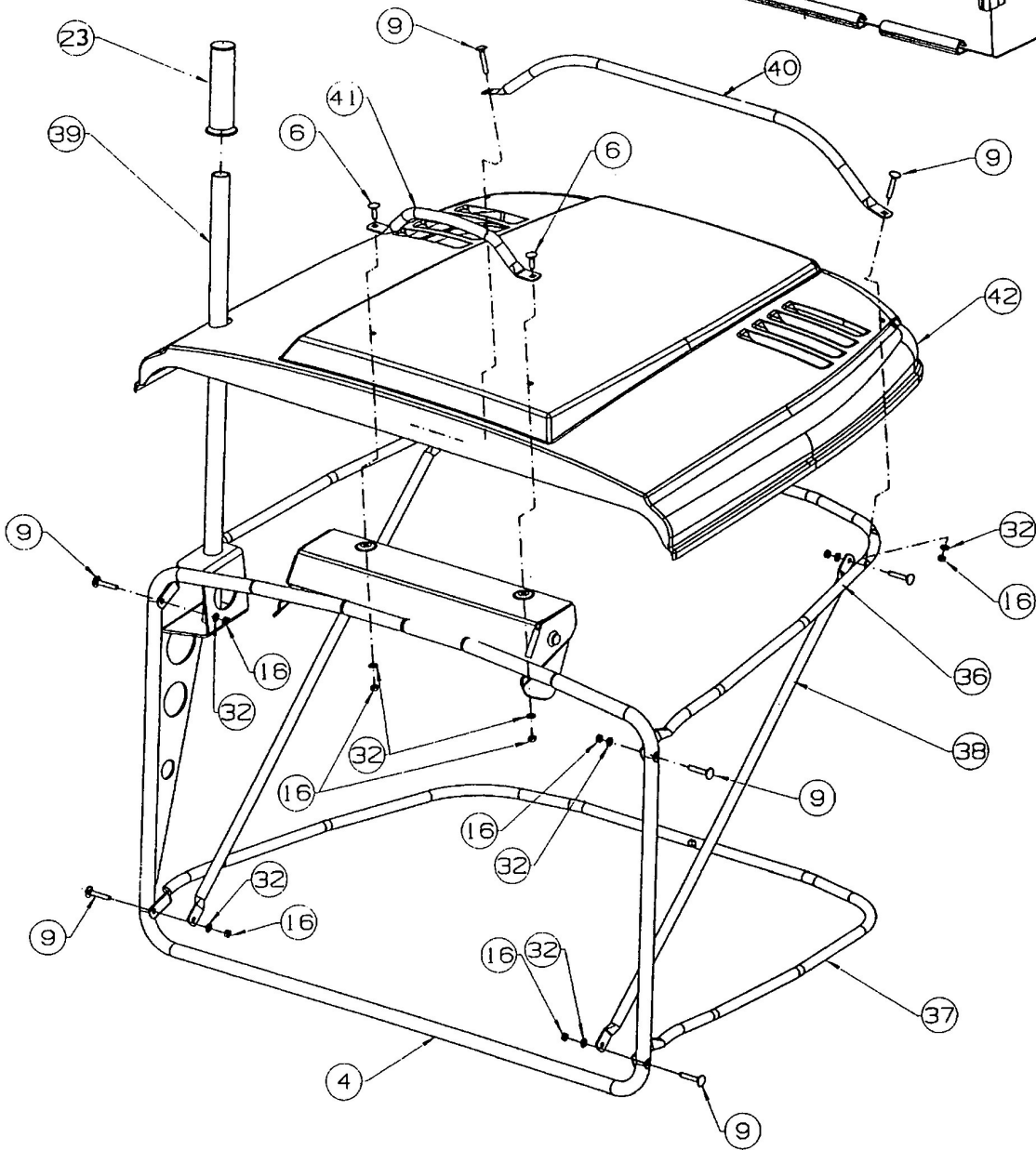
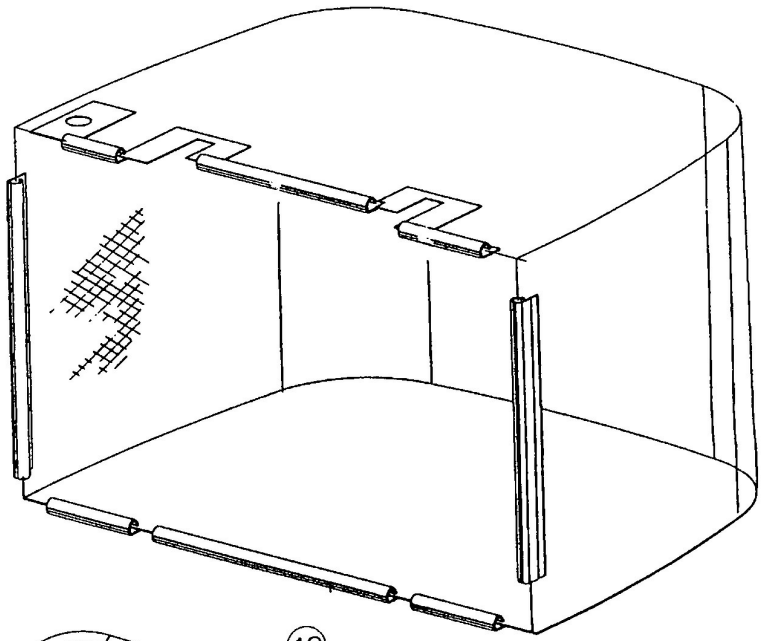


Grass Catcher

Model 400 - TRANSMATIC (E-Deck 36")

- 13AA450E659 13/92
- 13AA473E601 BA 13/92
- 13AA473E610 EDT 130/92
- 13AA473E682 W 13/92
- 13AA478E678 JE 130
- 13AA47UE663 130 ENC
- 13AP473E680 LRE 145
- 13BL47GE604 SPRINT L 92 R



E3-01439A

BLATT 1 VON 3