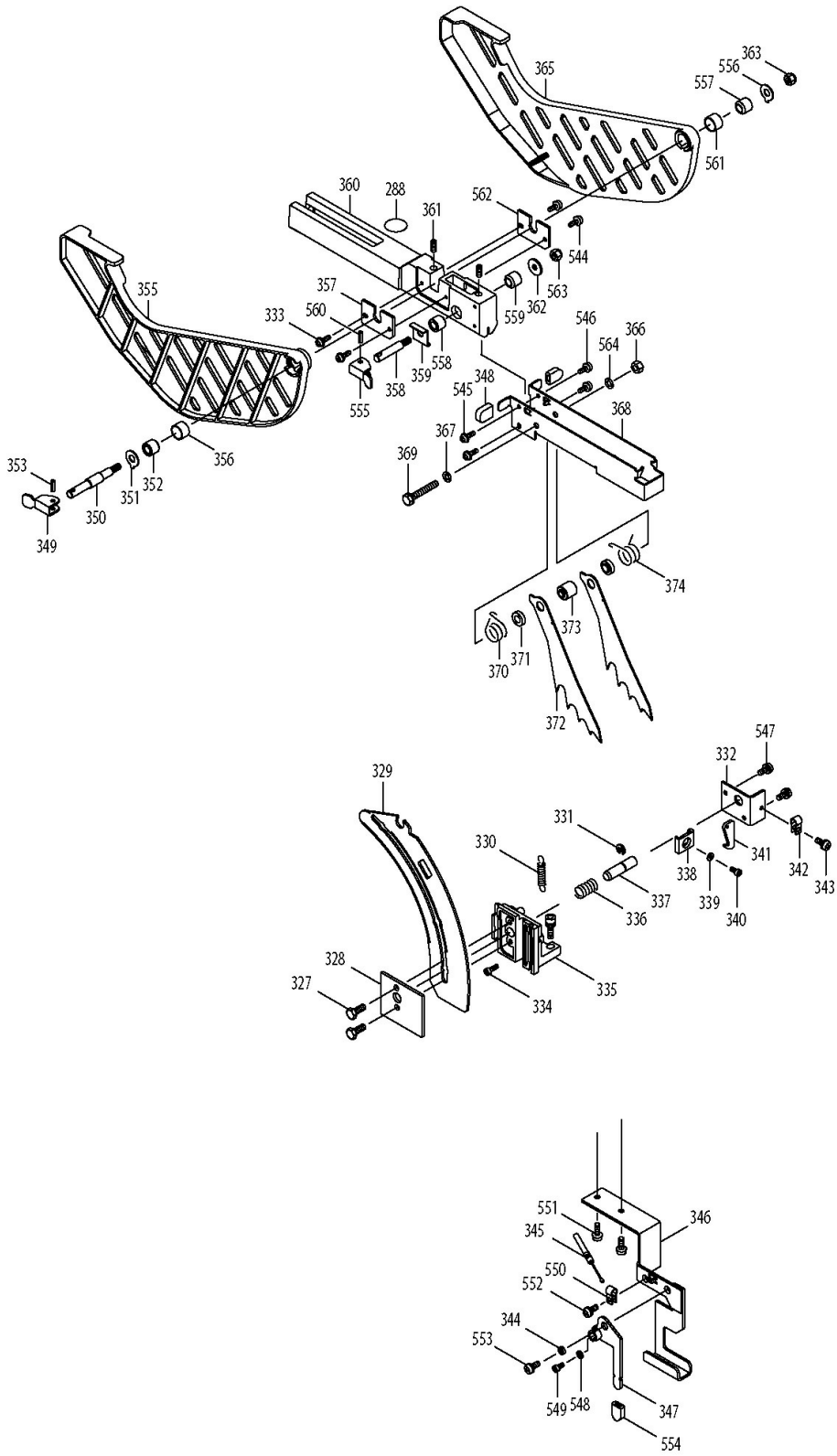
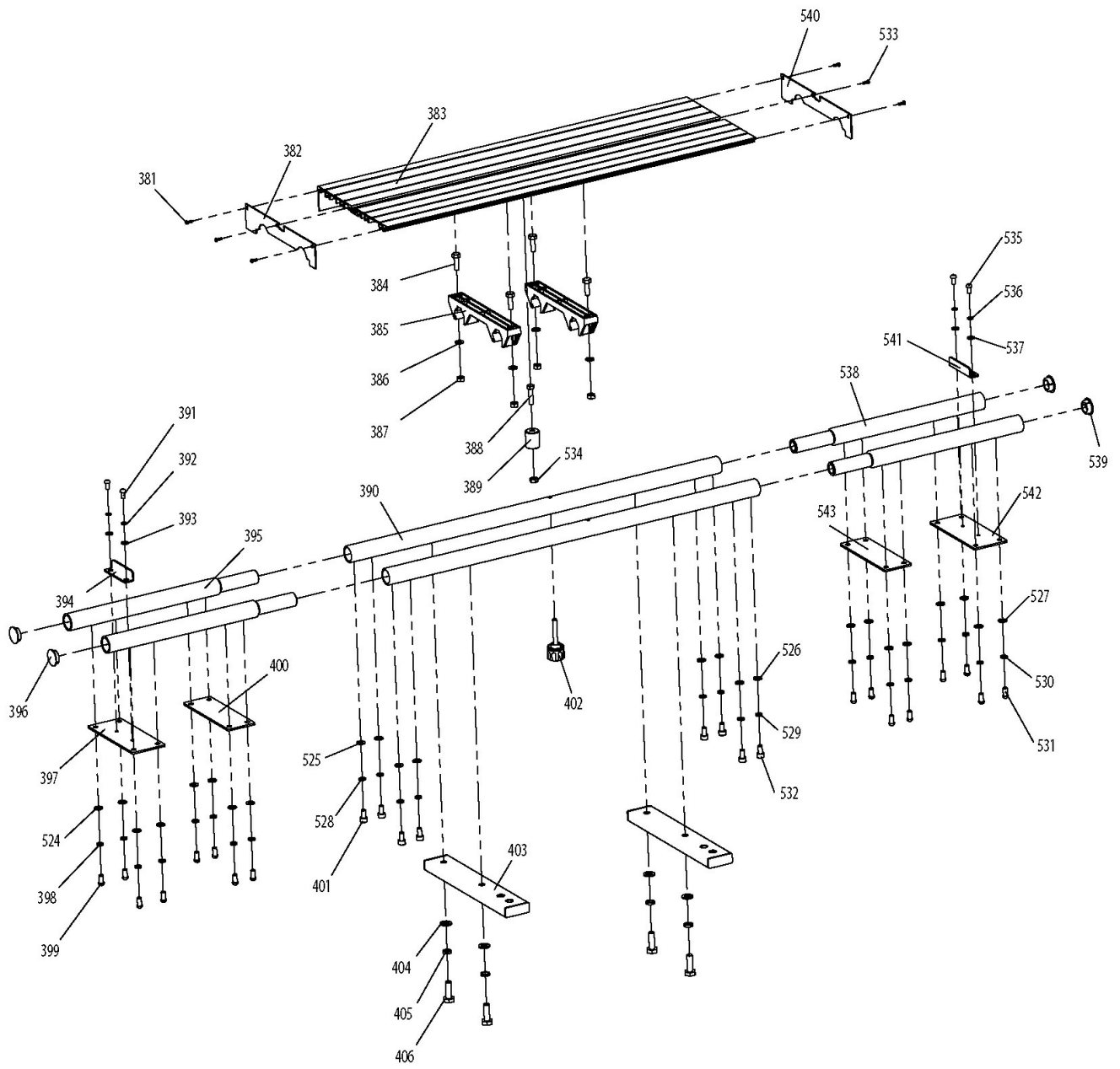


309D





F01

