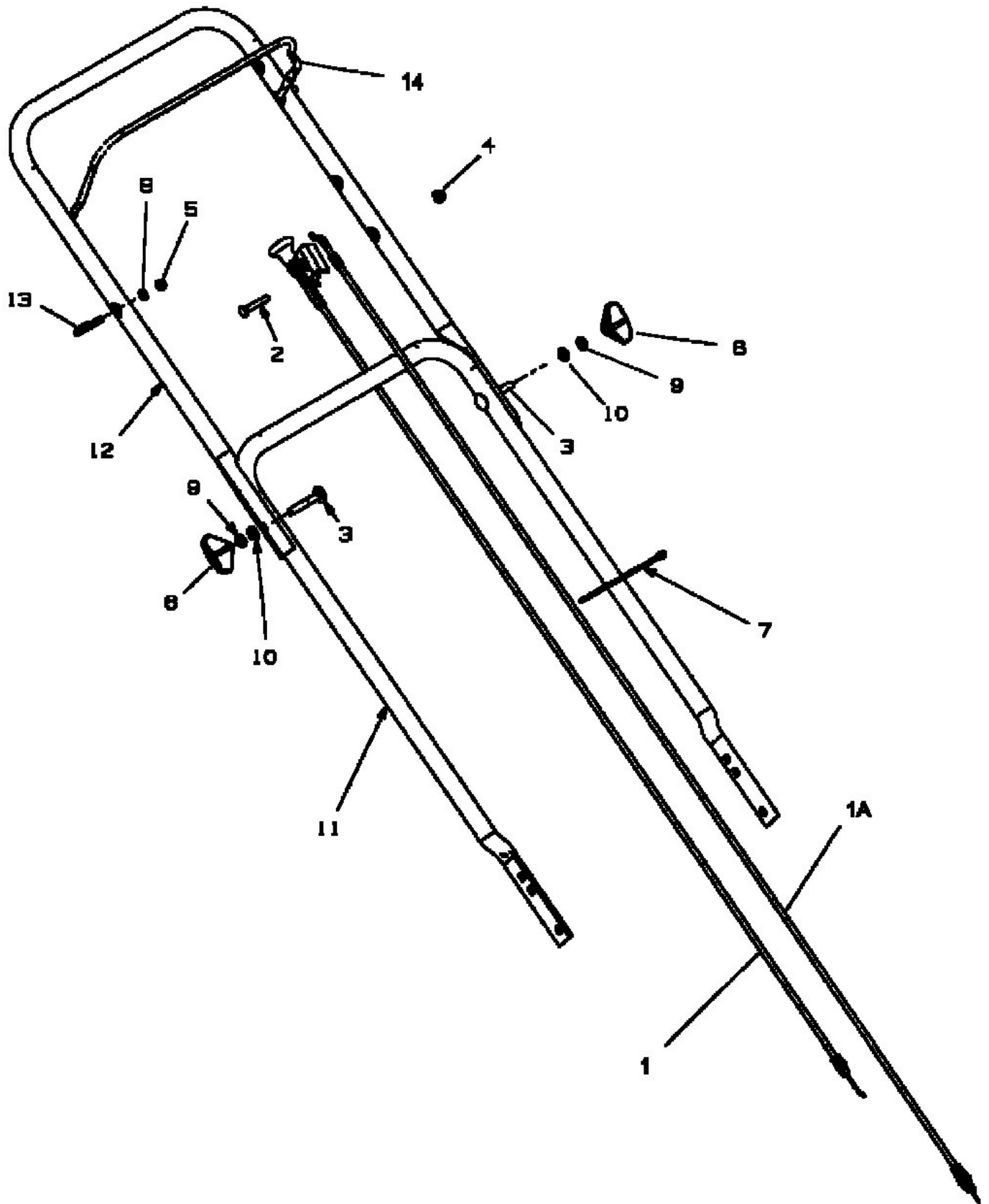


**46 PO / BBM 46 OHV / 400-46  
BL 4046 P / N46 TO 45**

---



**E3-02628A-01**