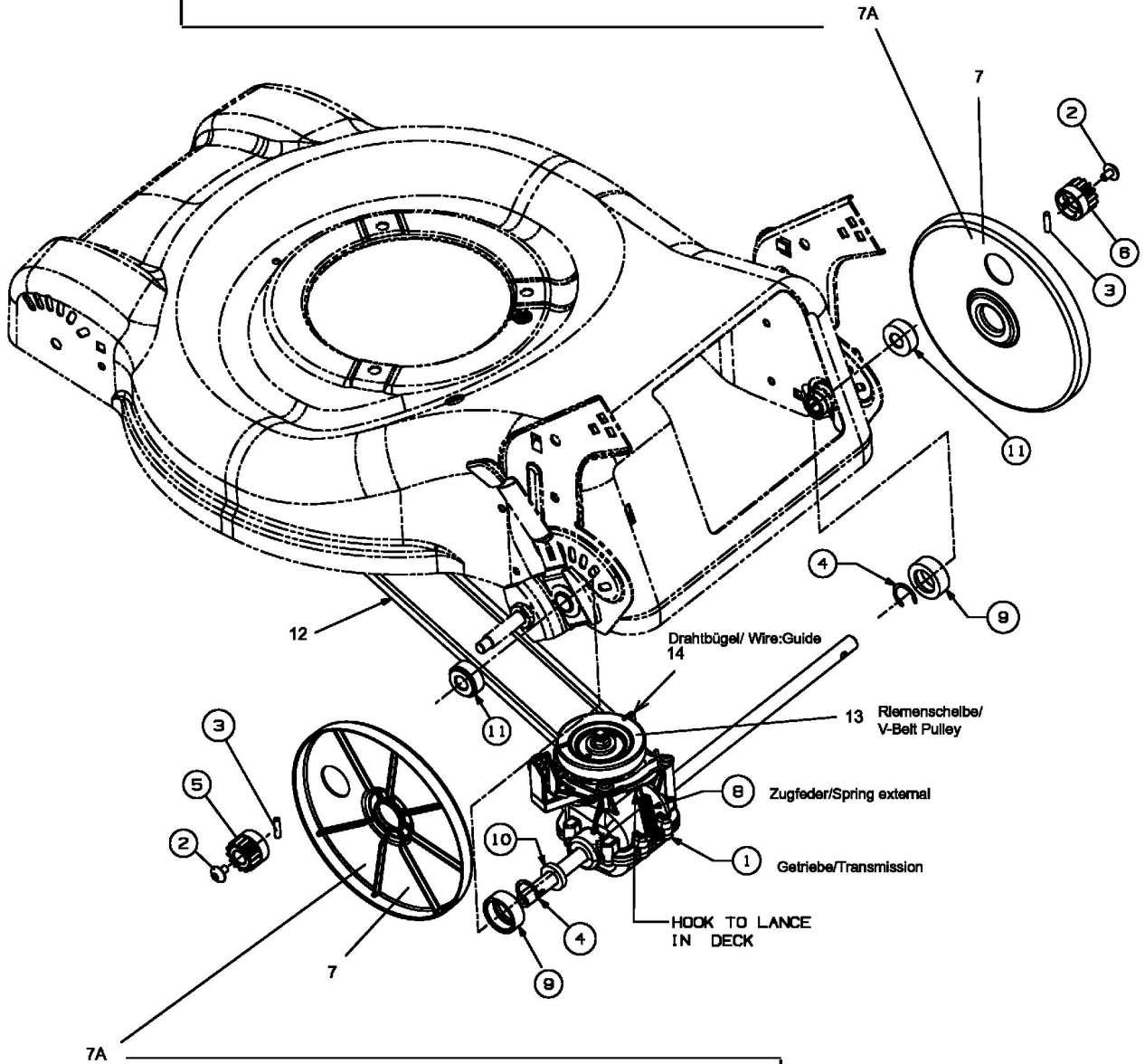


für Model CAMPUS... , 46SPHM-HQ , BBM46 R OHV , PM 460 W OHV , SP 460
 for Mod. CAMPUS... , 46SPHM-HQ , BBM46 R OHV , PM 460 W OHV and SP 460 only



für Model CAMPUS... , 46SPHM-HQ , BBM46 R OHV , PM 460 W OHV , SP 460
 for Mod. CAMPUS... , 46SPHM-HQ , BBM46 R OHV , PM 460 W OHV and SP 460 only

E3-02956A-01