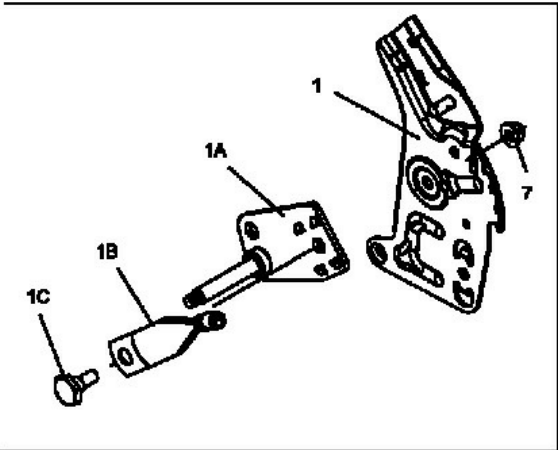
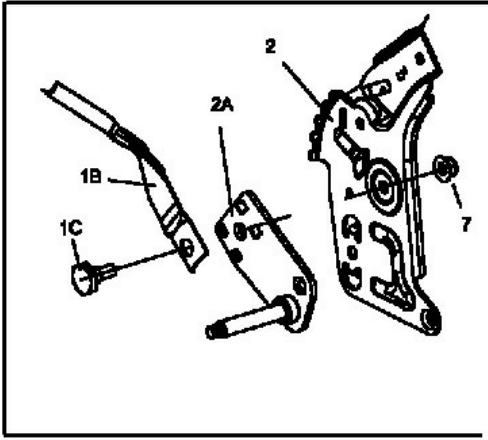


GLIDEHEAD MUST BE  
 ASSEMBLED TO THE  
 MOUNT FLUID SIDE



E3-04129A-01