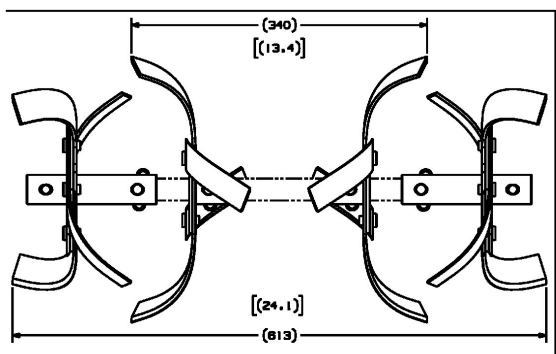
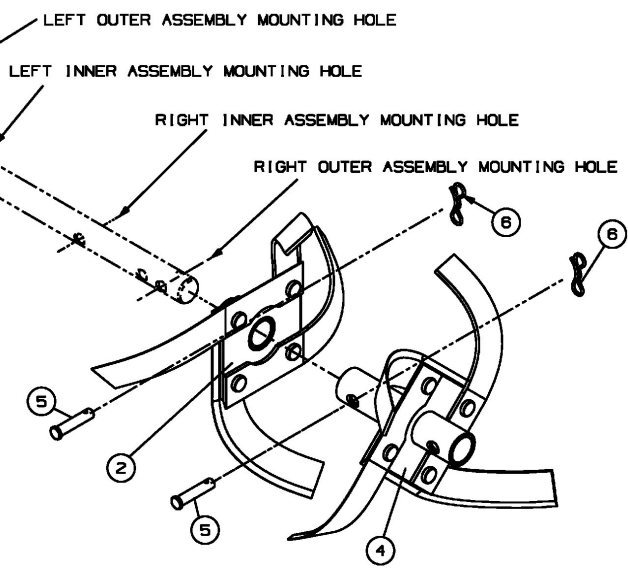


OPERATOR POSITION

FRONT OF TILLER



E3-05204A-01