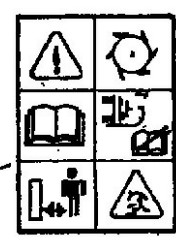
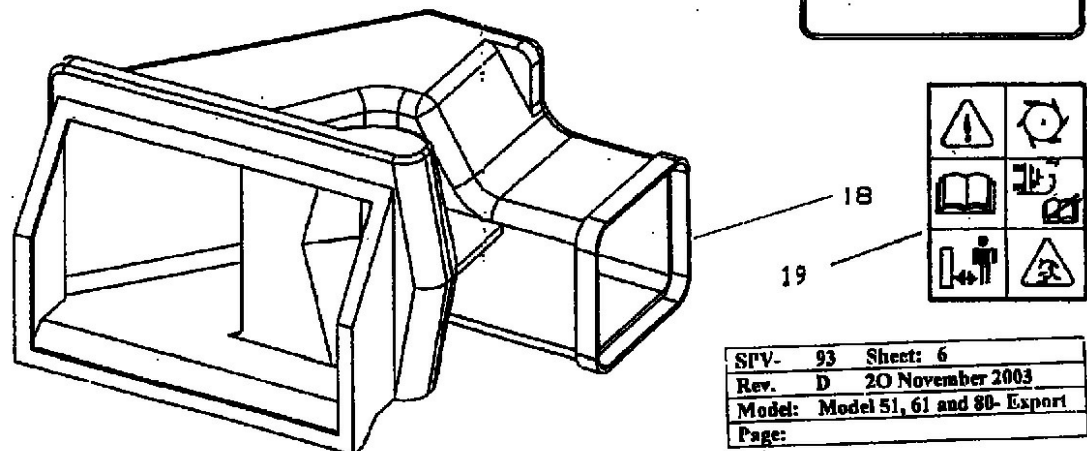
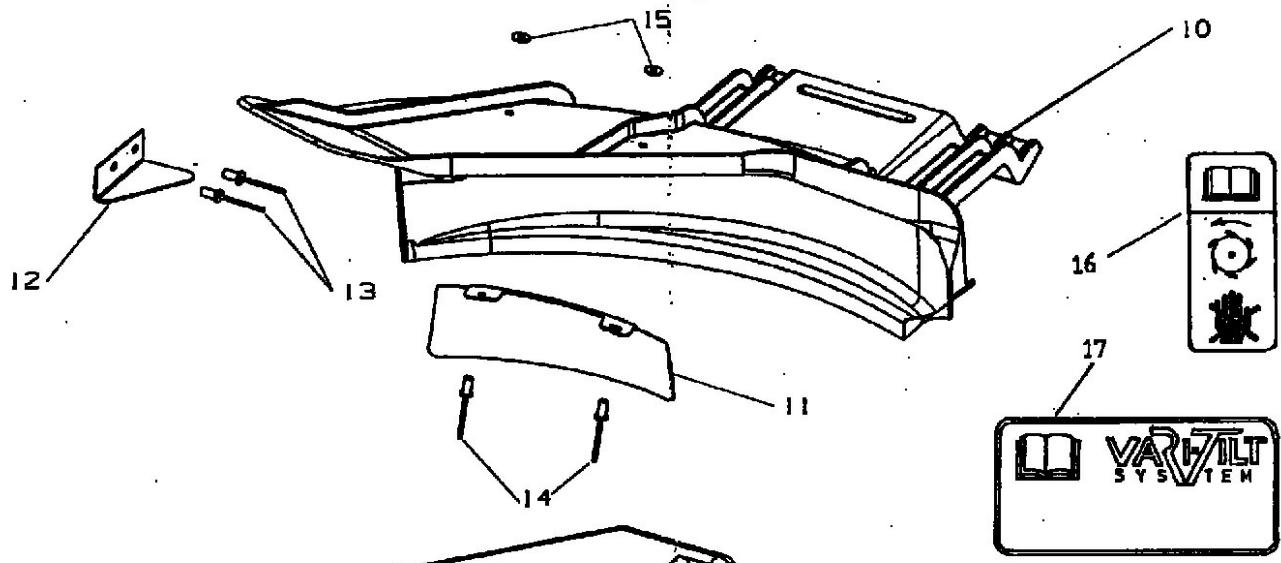


WARNING
 Read the instructions carefully before using the device.
 Do not use the device if it is damaged or if the power cord is frayed.
 Do not touch the hot surfaces of the device.
 Do not use the device near water or other liquids.
 Do not use the device in a flammable or explosive atmosphere.
 Do not use the device if you are pregnant or breastfeeding.
 Do not use the device if you have a heart condition or other medical conditions.
 Do not use the device if you are taking medication.
 Do not use the device if you are under the influence of alcohol or drugs.
 Do not use the device if you are feeling dizzy or lightheaded.
 Do not use the device if you are feeling any pain or discomfort.
 Do not use the device if you are experiencing any allergic reactions.
 Do not use the device if you are experiencing any other adverse effects.
 Do not use the device if you are unsure of its safe use.



SPV- 93 Sheet: 6
 Rev. D 20 November 2003
 Model: Model 51, 61 and 80- Export
 Page: