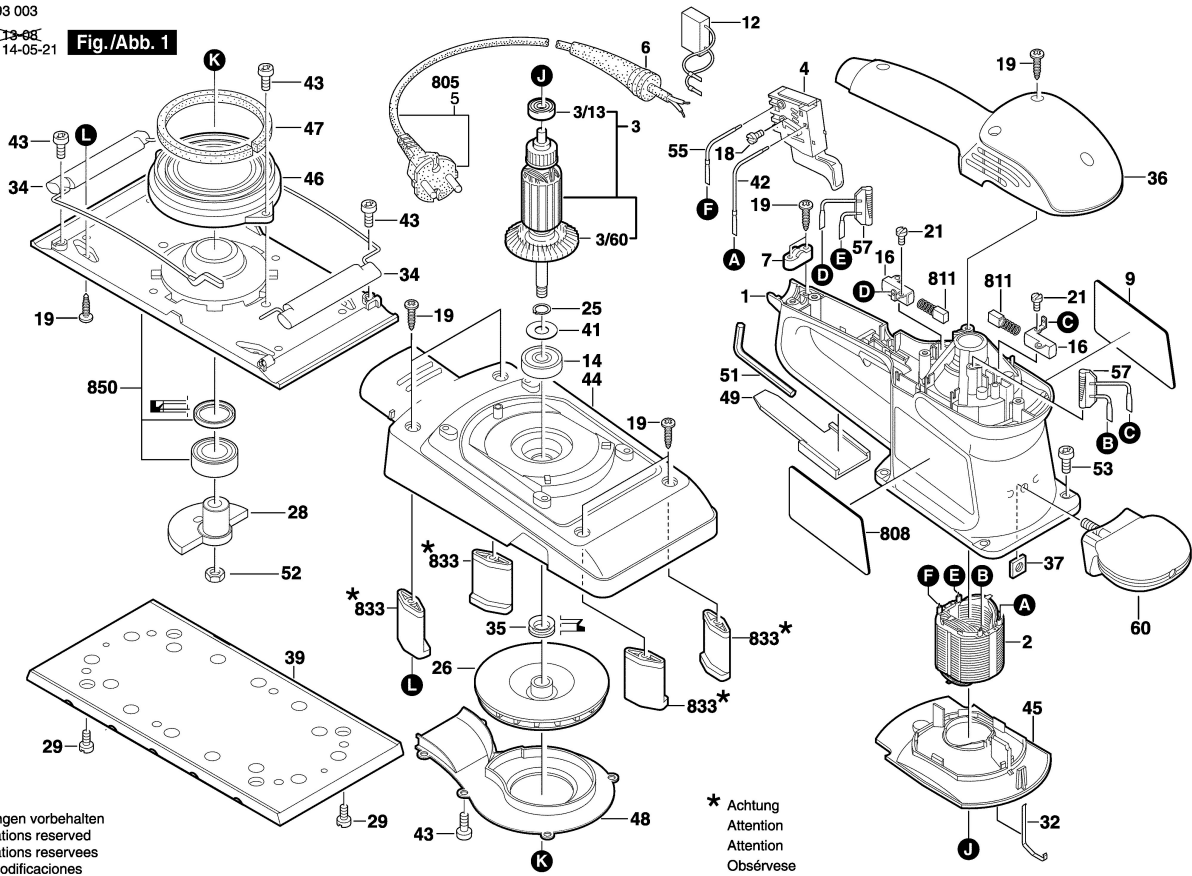


0 601 293 003

Stand | 13-08
Issue | 14-05-21

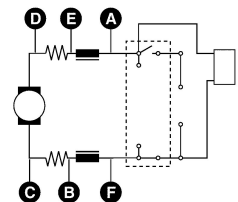
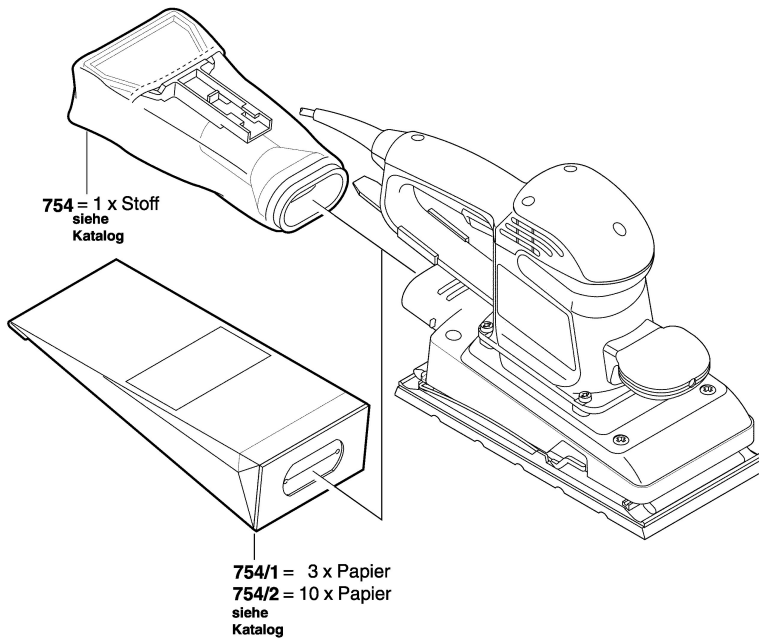
Fig./Abb. 1



0 601 293 003

Stand | 08-10
Issue | 03-02-07

Fig./Abb. 2



Änderungen vorbehalten
Modifications reserved
Modifications reserves
Salvo modificaciones