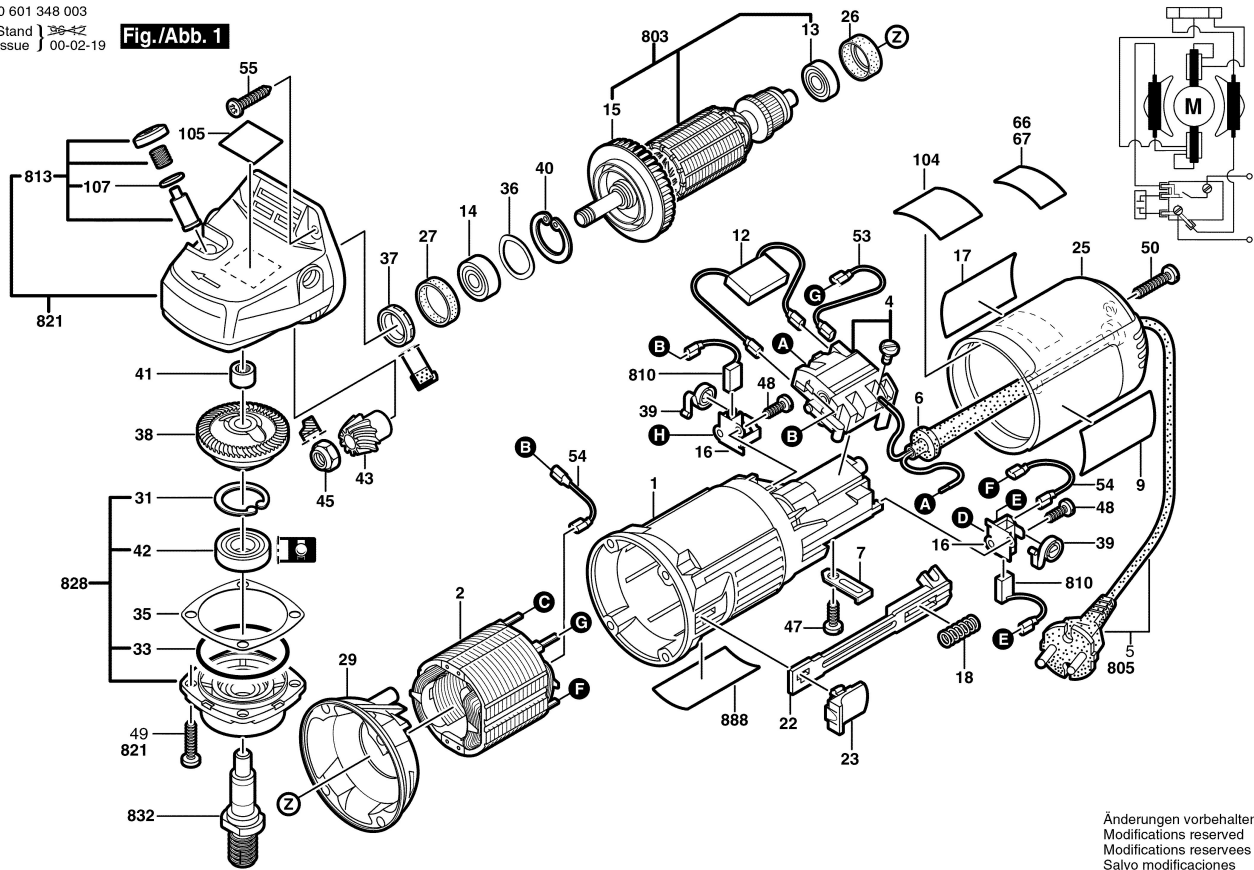


0 601 348 003
 Stand | 38-42
 Issue | 00-02-19

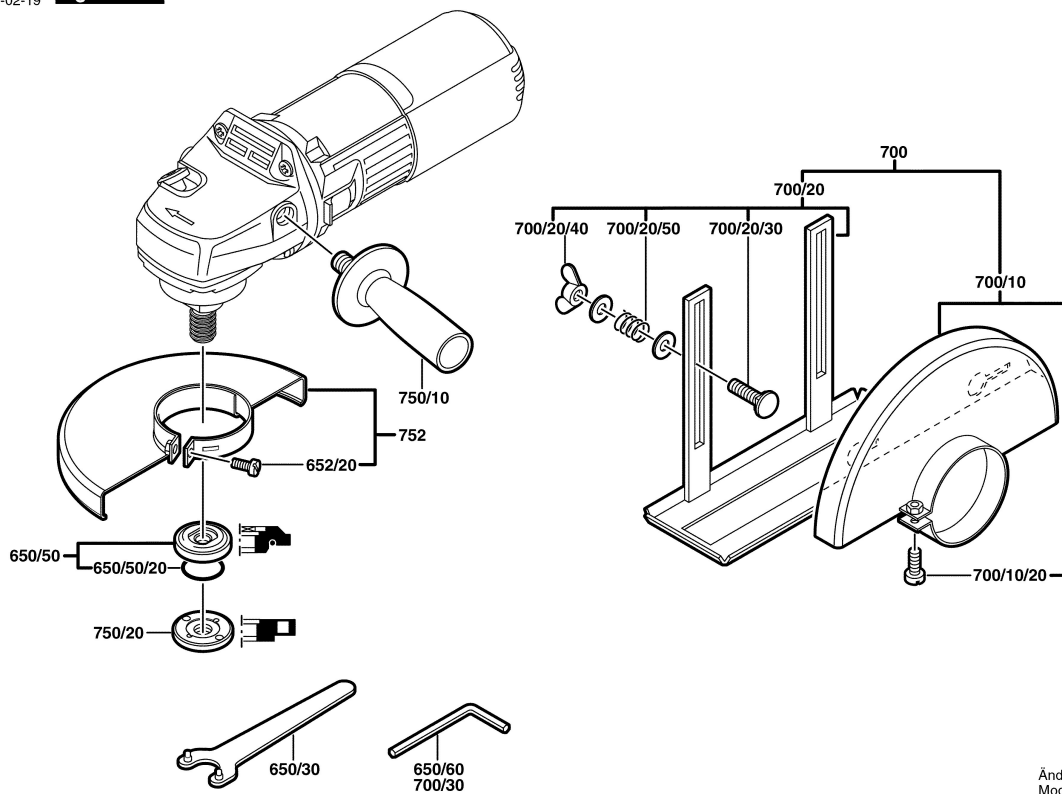
Fig./Abb. 1



Änderungen vorbehalten
 Modifications reserved
 Modifications reserves
 Salvo modificaciones

0 601 348 003
 Stand | 38-42
 Issue | 00-02-19

Fig./Abb. 2



Änderungen vorbehalten
 Modifications reserved
 Modifications reserves
 Salvo modificaciones