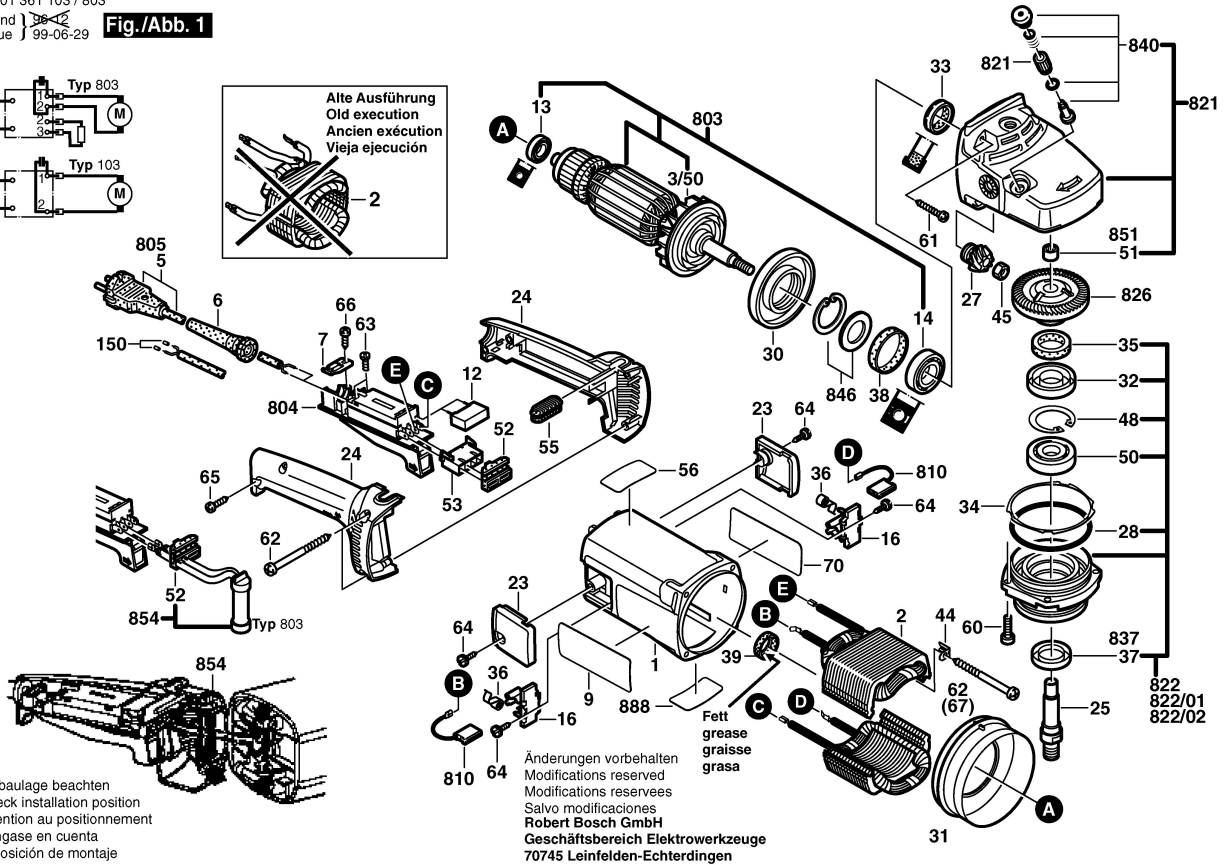
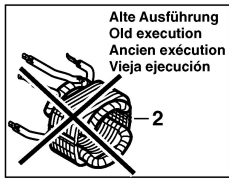
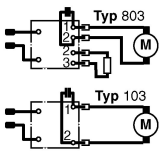


Fig./Abb. 1



Typ 0 601 361 1.. = GWS 24 - 180
 8.. = GWS 24 - 180 J

Stand ~~94-10~~
 Issue 95-11-15

